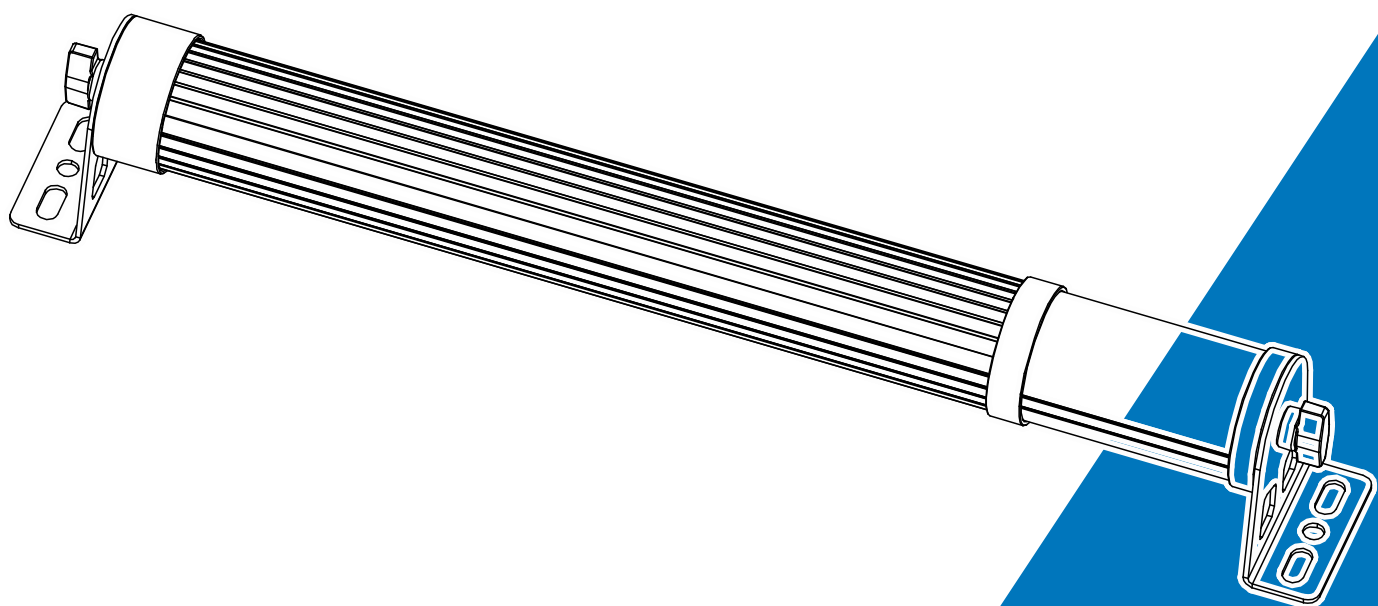




LED-SY40 VW EP



User Manual

Please read the instruction carefully before use

Feature:

- ◇ Soft and even light output with very high CRI
- ◇ 0 ~ 100% smooth dimming
- ◇ Color temperature adjustable from 3000K ~ 5700K
- ◇ Low heat dissipation with reliable operation
- ◇ Stylish and durable aluminum housing
- ◇ Built-in battery, full power continued minimum for 1.5 hours

Specification:

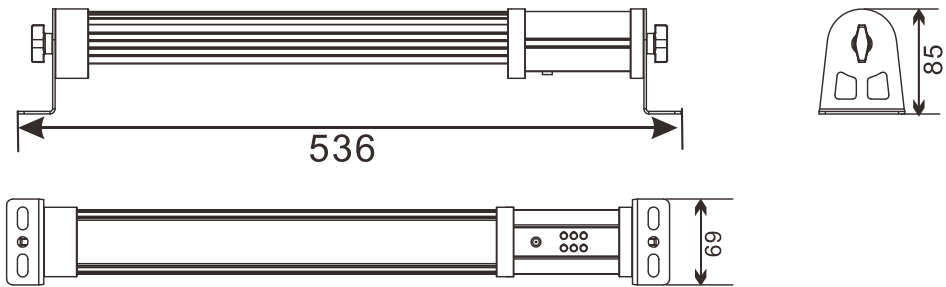
- ◇ **Power Voltage:** AC 100 ~ 240V, 50/60Hz
- ◇ **Power Consumption:** 30W
- ◇ **Light Sources:** 12pcs Osram CW LEDs
12pcs Osram WW LEDs
- ◇ **Beam Angle:** 120°
- ◇ **Color Temperature:**
 - WW:** 3000 K
 - CW:** 5700 K
- ◇ **CRI:**
 - WW:** ≥ 90
 - CW:** ≥ 80
 - VW:** ≥ 85
- ◇ **CQS:**

WW: ≥ 92

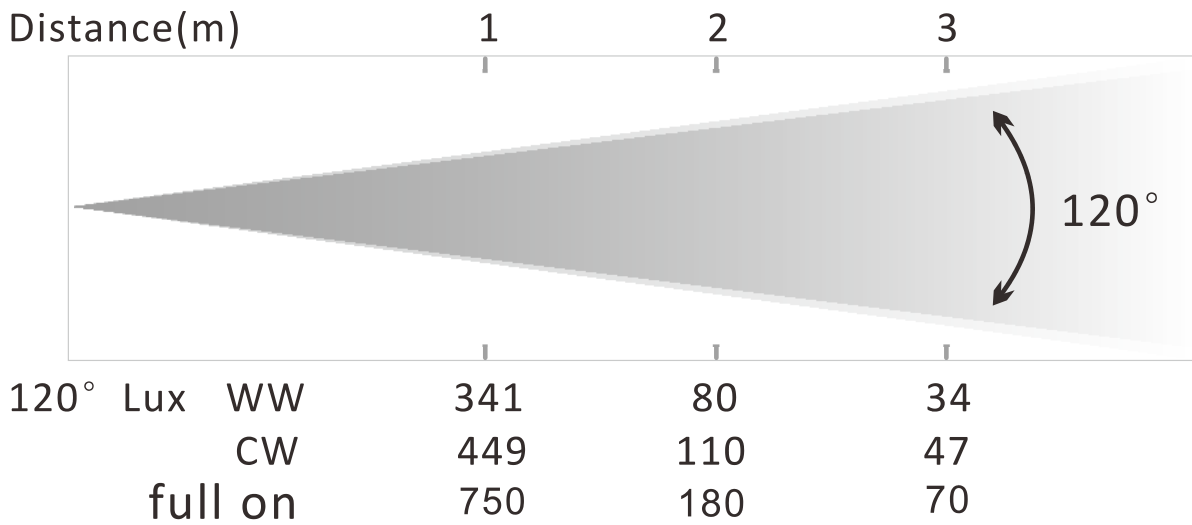
CW: ≥ 82

VW: ≥ 88

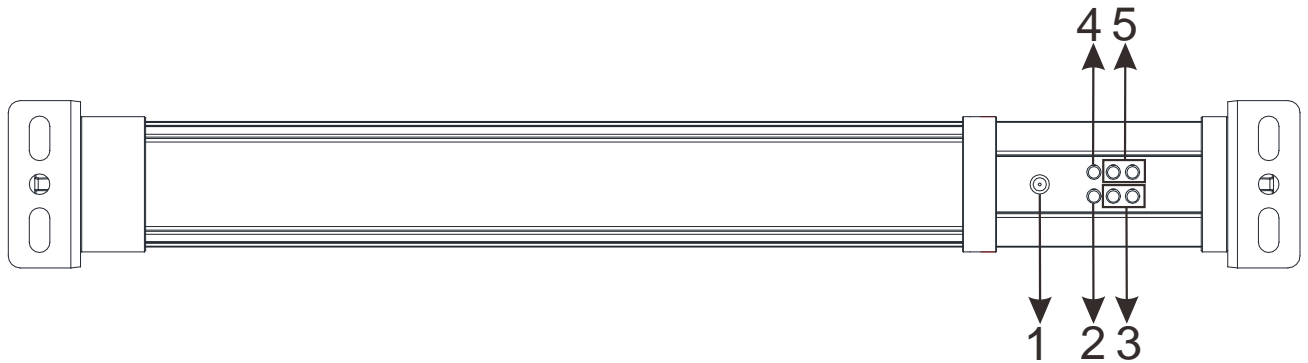
◇ **Dimension/Weight:** 536x69x85mm, 1.3Kg
21.1"x2.7"x3.3" in, 2.8lbs



Photometric diagram:



Control Panel



- 1. Battery DC24V Input Socket:** Connects to power.
- 2. Button Switch :** Turn on/off the brightness of fixture.
- 3. Warm White Button:** Manual adjust WW dimming.
- 4. Mode Button:** Press the button to select the Warm White, Cold White or Mix White (Warm + Cold) Color.
- 5. Cold White Button:** Manual adjust CW dimming.

Accessories

Standard Accessories:

1. Carrying Bag x 1pcs

Troubleshooting

- Following are a few common problems that may occur during operation. Here are some suggestions for easy troubleshooting:
- The fixture does not work, no light

- Check the connection of power and main fuse.
- Measure the mains voltage on the main connector.

Maintenance

- * Clean the front transparent cover at least every 1-2 months.
- * Use a moist, lint-free cloth.
- * Never use alcohol or solvents!

Declaration of Conformity

We declare that our products (lighting equipments) comply with the following specification and bears CE mark in accordance with the provision of the Electromagnetic Compatibility (EMC) Directive 89/336/EEC.

EN55103-1: 2009+A1:2012; EN55103-2: 2009;
EN61000-3-2: 2014; EN61000-3-3: 2013.

&

Harmonized Standard

EN 60598-1:2015; EN 60598-2-17:1989 + A2:1991;
EN 62471:2008; EN 62493: 2010
Safety of household and similar electrical appliances
Part 1: General requirements

Innovation, Quality, Performance