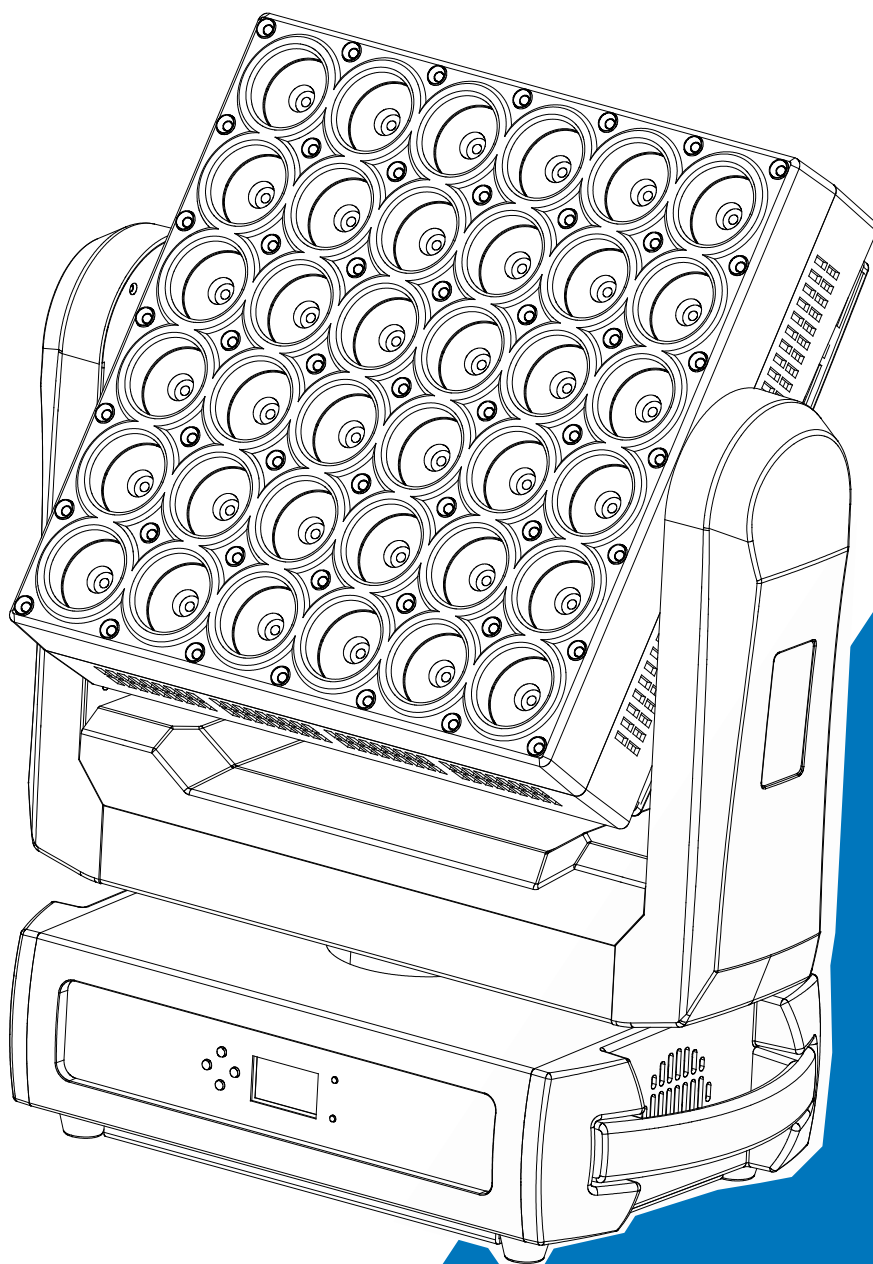


# Acme<sup>®</sup>

# Solaris<sup>★</sup>



## User Manual

Please read the instruction carefully before use

## CONTENTS

1. Safety Instructions .....	2
2. Technical Specifications .....	4
3. Control Panel .....	6
4. How To Set The Unit.....	6
4.1 Main Function.....	6
4.2 Home Position Adjustment .....	14
5. Control By Universal DMX Controller .....	14
5.1 DMX512 Connection .....	14
5.2 Address Setting .....	15
5.3 DMX512 Configuration.....	16
6. Troubleshooting.....	31
7. Fixture Cleaning.....	32

## 1. Safety Instructions



Please read the instruction carefully which includes important information about the installation, usage and maintenance.

### WARNING

Please keep this User Guide for future consultation. If you sell the unit to another user, be sure that they also receive this instruction manual.

### Important:

**Damages caused by the disregard of this user manual are not subject to warranty. The dealer will not accept liability for any resulting defects or problems.**

- Unpack and check carefully that there is no transportation damage before using the unit.
- This product is for indoor use only. Use only in a dry location.
- DO install and operate by qualified operator.
- DO NOT allow children to operate the fixture.
- Use safety chain when fixing the unit. Handle the unit by carrying its base instead of head only.
- The unit must be installed in a location with adequate ventilation, at least 50cm from adjacent surfaces.
- Be sure that no ventilation slots are blocked, otherwise the unit will be overheated.
- Before operating, ensure that the voltage and frequency of power supply match the power requirements of the unit.
- It's important to ground the yellow/green conductor to earth in order to avoid electric shock.
- Minimum ambient temperature TA: 0°C. Maximum ambient temperature TA: 40°C.
- DO NOT connect the device to any dimmer pack.
- Make sure there are no flammable materials close to the unit while operating to avoid fire hazard.
- Examine the power wires carefully; replace them immediately if there is any damage.
- Unit's surface temperature may reach up to 55°C. DO NOT touch the housing bare-handed during its operation.
- Avoid any inflammable liquids, water or metal objects entering the unit. Once it happens, cut off the mains power immediately.
- DO NOT operate in dirty or dusty environment, do clean fixtures regularly.

- DO NOT touch any wire during operation as there might be a hazard of electric shock.
- Avoid power wires together twist other cables.
- The minimum distance between light output and the illuminated surface must be more than 0.2 meters.
- Disconnect mains power before fuse replacement or servicing.
- Replace fuse only with the same type.
- In the event of serious operating problem, stop using the unit immediately.
- Never turn on and off the unit time after time.
- The housing, the lenses, or the ultraviolet filter must be replaced if they are visibly damaged.
- DO NOT open the unit as there are no user serviceable parts inside.
- Never try to repair the unit by yourself. Repairs carried out by unskilled people can lead to damage or malfunction. Please contact the nearest authorized technical assistance center if needed.
- Disconnect the mains power if the fixture is has not been used for a long time.
- DO use the original packing materials before transporting it again.
- DO NOT look directly at the light while the LED is on.
- DO NOT start on the unit without LED enclosure or when housing is damaged.

**Installation:**

The fixture should be mounted via its Omega Quick Release Clamp bracket. Always ensure that the unit is firmly fixed to avoid vibration and slipping while operating and make sure that the structure to which you are attaching the unit is secure and is able to support a weight of 10 times of the fixtures weight. Always use a safety cable that can hold 12 times of the weight of the fixture when installing.

The equipment must be installed by professionals. It must be installed in a place where is out of the reach of people and no one can pass by or under it.

## 2. Technical Specifications

**Power Voltage:**

AC 100~240V, 50/60Hz

**Power Consumption:**

580W

**Light Source:**

36x15W RGBW LED

49x0.06W CW LED

**Beam Angle:**

6°

**Spot Angle:**

10.8°

**Movement:**

Pan/Tilt movement: 360° Infinite

Pan/Tilt Resolution: 16bit

**Dimmer/Shutter:**

Smooth dimming from 0~100%, with 4 optional dimming curves; outstanding strobe effect with variable speed

**Control:**

DMX channel: 166/206/22+144/21 channels

Protocols: DMX512, RDM, Art-Net

Firmware Upgrade via DMX link

**Construction:**

Display: LCD display

Data In/Out: 3-pin&5-pin XLR, RJ-45

Power In/Out: Power Connector in/out

Protection Rating: IP20

**Features:**

Variable CTO

Integrated multi features: beam, wash, pixel effect, star background and moonflower beam

36 (6x6) x 15W RGBW pixel control LED + 49 (7x7) CW star-effect LED

Preset a variety of graphics matrix effect

Outstanding color mixing effect

Excellent thermal control

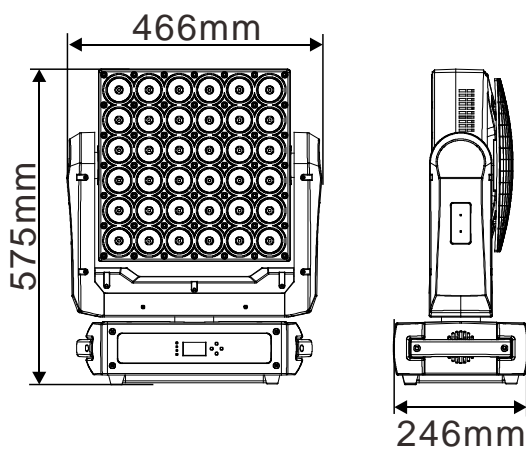
Low noise: fan speed can be adjusted automatically according to temperature

Optional reflector mirror module can create moonflower effect

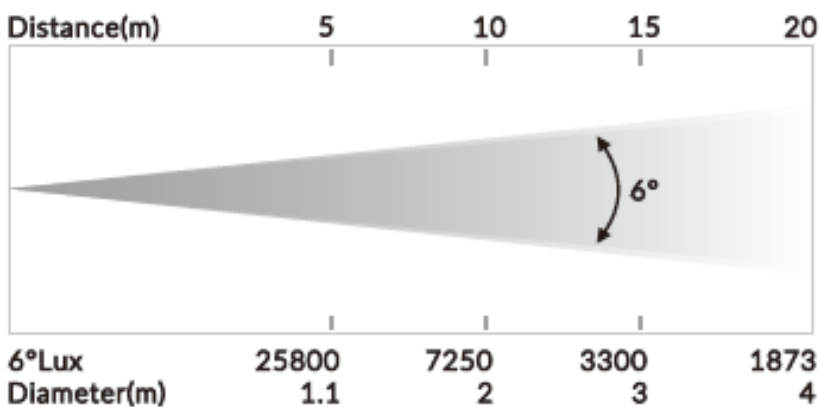
**Dimensions/ Weight:**

466x246x575mm, 20kgs

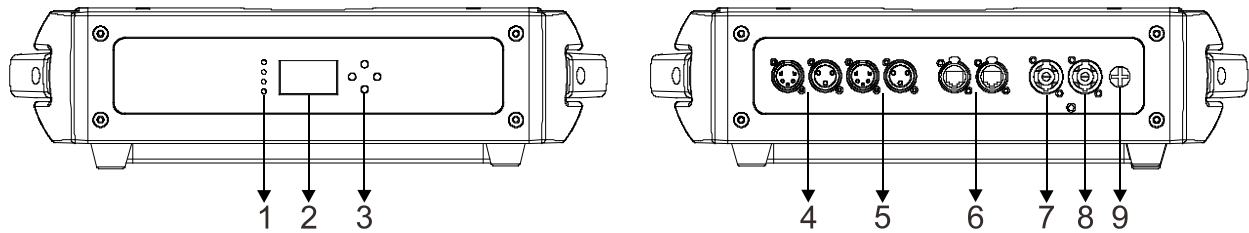
18.3"x9.7"x22.6" in, 44.1lbs



**Photometrics Diagram**



### 3. Control Panel



#### 1. LED:

<b>POWER</b>	On	Power on
<b>DMX</b>	On	DMX input present

**2. Display:** To show the various menus and the selected function

#### 3. Button:

<b>MENU</b>	To enter into move backward or leave the menu
<b>UP</b>	To go backward to move up in the menu
<b>DOWN</b>	To go forward to move down in the menu
<b>ENTER</b>	To perform the desired functions

#### 4. DMX IN:

For DMX512 link, use 3/5-pin XLR cable to link the unit and DMX controller

#### 5. DMX OUT:

For DMX512 link, use 3/5-pin XLR cable to link the next units

**6. ETHERNET:** Transfers fixture's information to a main controller

**7. POWER IN:** Connects to supply power

**8. POWER OUT:** Connects to the next fixture

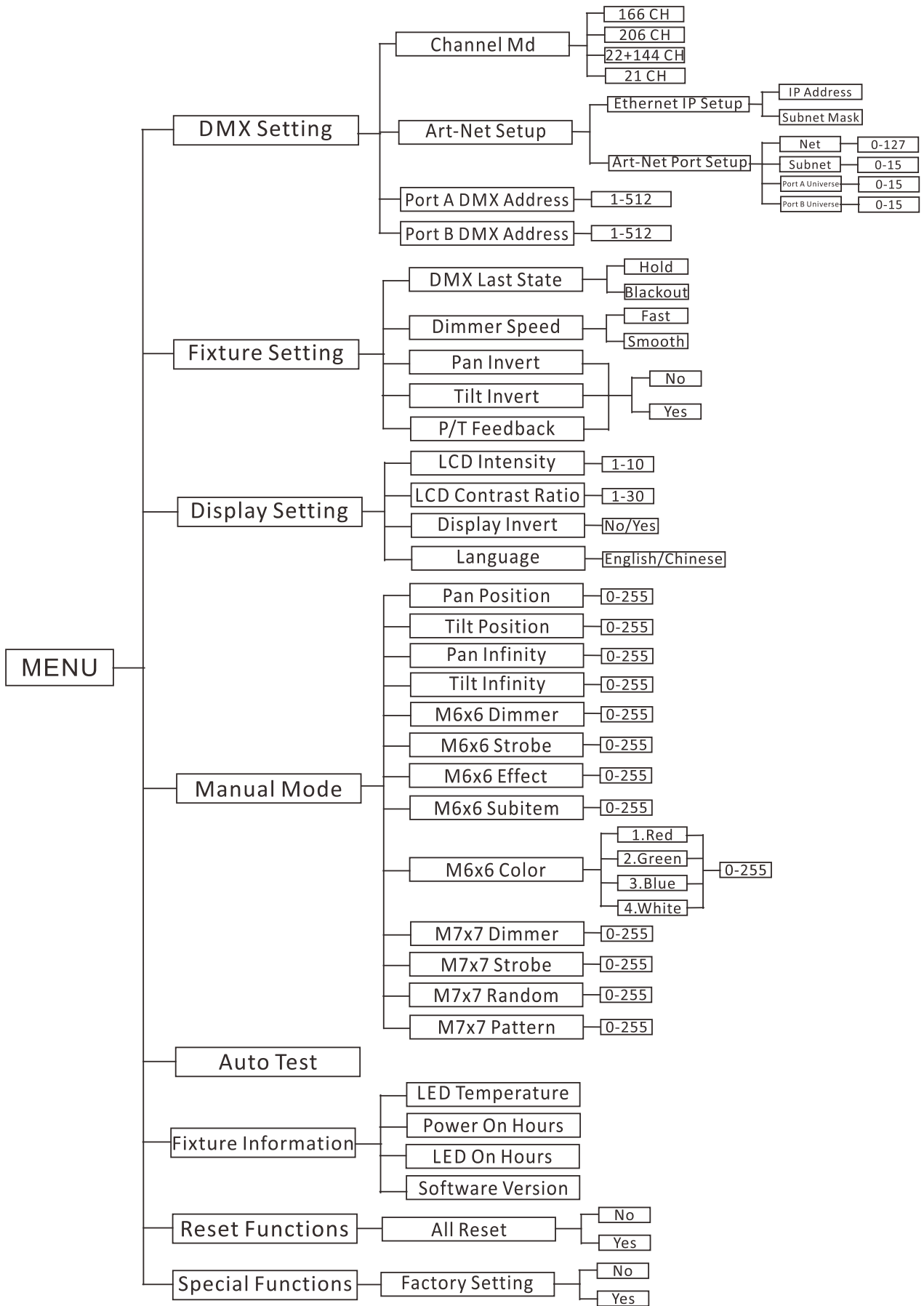
**9. FUSE(T 15A):** Protects the unit from damage of over current

### 4. How To Set The Unit

#### 4.1 Main Function

Turn on the unit, press the **MENU** button into menu mode, and press the **UP/DOWN** button until the required function is shown on the monitor. Select the function by the **ENTER** button. Use the **UP/DOWN** button to choose the submenu, press the **ENTER** button to store and automatically return to the last menu. Press the **MENU** button or let the unit idle 30 seconds to exit menu mode.

The main functions are shown below:





## ***DMX Setting***

To select **DMX Settings**, press the **ENTER** button to confirm, use the **UP/DOWN** button to select **Channel Mode, Art-Net Setup, Port A DMX Address** or **Port B DMX Address**.

### **Channel Mode**

To select **Channel Mode**, press the **ENTER** button to confirm. Use the **UP/DOWN** button to select **166 CH, 206 CH, 22+144CH** or **21 CH**, press the **ENTER** button to store. Press the **MENU** button back to the last menu or let the unit idle 30 seconds to exit menu mode.

### **Are-Net Setup**

To select **Are-Net Setup**, press the **ENTER** button to confirm. Use the **UP/DOWN** button to select **Ethernet IP Setup** or **Art-Net Port Setup**, press the **ENTER** button to store. When choose the **Ethernet IP Setup**, use the **UP/DOWN** button to select **IP Address** or **Subnet Mask**. When choose the **Art-Net Port Setup**, use the **UP/DOWN** button to select **Net, Subnet, Port A Universe** or **Port B Universe**. Press the **MENU** button back to the last menu or let the unit idle 30 seconds to exit menu mode.

### **Port A DMX Address**

To select **Port A DMX Address**, press the **ENTER** button to confirm. Use the **UP/DOWN** button to adjust the address from **001** to **512**, press the **ENTER** button to store. Press the **MENU** button back to the last menu or let the unit idle 30 seconds to exit menu mode.

**Port B DMX Address** (This menu will only appear when the “Channel Mode” has selected the “22+144 CH”)

To select **Port B DMX Address**, press the **ENTER** button to confirm. Use the **UP/DOWN** button to adjust the address from **001** to **512**, press the **ENTER** button to store. Press the **MENU** button back to the last menu or let the unit idle 30 seconds to exit menu mode.

## ***Fixture Setting***

To select **Fixture Setting**, press the **ENTER** button to confirm, use the **UP/DOWN** button to select **DMX Last State, Dimmer Speed, Pan Invert, Tilt Invert** or **P/T Feedback**.

### **DMX Last State**

To select **DMX Last State**, press the **ENTER** button to confirm. Use the **UP/DOWN** button to select **Hold** (fixture continues to obey the last command it received Via DMX if DMX signal stops) or **Blackout** (fixture blacks out if DMX signal stops), press the **ENTER** button to store. Press the **MENU**

button back to the last menu or let the unit idle 30 seconds to exit menu mode.

#### **Dimmer Speed**

To select **Dimmer Speed**, press the **ENTER** button to confirm. Use the **UP/DOWN** button to select **Fast** or **Smooth**, press the **ENTER** button to store. Press the **MENU** button back to the last menu or let the unit idle 30 seconds to exit menu mode.

#### **Pan Invert**

To select **Pan Invert**, press the **ENTER** button to confirm. Use the **UP/DOWN** button to select **No** (normal) or **Yes** (pan invert), press the **ENTER** button to store. Press the **MENU** button back to the last menu or let the unit idle 30 seconds to exit menu mode.

#### **Tilt Invert**

To select **Tilt Invert**, press the **ENTER** button to confirm. Use the **UP/DOWN** button to select **No** (normal) or **Yes** (tilt invert), press the **ENTER** button to store. Press the **MENU** button back to the last menu or let the unit idle 30 seconds to exit menu mode.

#### **P/T Feedback**

To select **P/T Feedback**, press the **ENTER** button to confirm. Use the **UP/DOWN** button to select **No** (Pan or tilt's position will not feedback while out of step) or **Yes** (Feedback while pan/tilt out of step), press the **ENTER** button to store. Press the **MENU** button back to the last menu or let the unit idle 30 seconds to exit menu mode.

### ***Display Setting***

To select **Display Setting**, press the **ENTER** button to confirm, use the **UP/DOWN** button to select **LCD Intensity**, **LCD Contrast Ratio**, **Display Invert** or **Language**.

#### **LCD Intensity**

Select **LCD Intensity**, press the **ENTER** button to confirm, present mode will blink on the display, use the **UP/DOWN** button to adjust the value from **1** (dark) to **10** (bright), press the **ENTER** button to store. Press the **MENU** button back to the last menu or let the unit idle 30 seconds to exit menu mode.

#### **LCD Contrast Ratio**

Select **LCD Contrast Ratio**, press the **ENTER** button to confirm, present mode will blink on the display, use the **UP/DOWN** button to adjust the value from **1** to **30**, press the **ENTER** button to store. Press the **MENU** button back to the last menu or let the unit idle 30 seconds to exit menu mode.

### **Display Invert**

Select **Display Invert**, press the **ENTER** button to confirm, present mode will blink on the display, use the **UP/DOWN** button to select **No** (normal display) or **Yes** (invert display), press the **ENTER** button to store. Press the **MENU** button back to the last menu or let the unit idle 30 seconds to exit menu mode.

### **Language**

Select **Language**, press the **ENTER** button to confirm, present mode will blink on the display, use the **UP/DOWN** button to select **English** or **Chinese**. Press the **MENU** button back to the last menu or let the unit idle 30 seconds to exit menu mode.

### ***Manual Mode***

To select **Manual Mode**, press the **ENTER** button to confirm, use the **UP/DOWN** button to select **Pan Position, Tilt Position, Pan Infinity, Tilt Infinity, M6x6 Dimmer, M6x6 Strobe, M6x6 Effect, M6x6 Subitem, M6x6 Color, M7x7 Dimmer, M7x7 Strobe, M7x7 Random or M7x7 Pattern**.

#### **Pan Position**

Select **Pan Position**, press the **ENTER** button to confirm, present mode will blink on the display, use the **UP/DOWN** button to adjust the value from **0** to **255**, press the **ENTER** button to store. Press the **MENU** button back to the last menu or let the unit idle 30 seconds to exit menu mode.

#### **Tilt Position**

Select **Tilt Position**, press the **ENTER** button to confirm, present mode will blink on the display, use the **UP/DOWN** button to adjust the value from **0** to **255**, press the **ENTER** button to store. Press the **MENU** button back to the last menu or let the unit idle 30 seconds to exit menu mode.

#### **Pan Infinity**

Select **Pan Infinity**, press the **ENTER** button to confirm, present mode will blink on the display, use the **UP/DOWN** button to adjust the value from **0** to **255**, press the **ENTER** button to store. Press the **MENU** button back to the last menu or let the unit idle 30 seconds to exit menu mode.

#### **Tilt Infinity**

Select **Tilt Infinity**, press the **ENTER** button to confirm, present mode will blink on the display, use the **UP/DOWN** button to adjust the value from **0** to **255**, press the **ENTER** button to store. Press the **MENU** button back to the last menu or let the unit idle 30 seconds to exit menu mode.

### **M6x6 Dimmer**

Select **M6x6 Dimmer**, press the **ENTER** button to confirm, present mode will blink on the display, use the **UP/DOWN** button to adjust the value from **0** to **255**, press the **ENTER** button to store. Press the **MENU** button back to the last menu or let the unit idle 30 seconds to exit menu mode.

### **M6x6 Strobe**

Select **M6x6 Strobe**, press the **ENTER** button to confirm, present mode will blink on the display, use the **UP/DOWN** button to adjust the value from **0** to **255**, press the **ENTER** button to store. Press the **MENU** button back to the last menu or let the unit idle 30 seconds to exit menu mode.

### **M6x6 Effect**

Select **M6x6 Effect**, press the **ENTER** button to confirm, present mode will blink on the display, use the **UP/DOWN** button to adjust the value from **0** to **255**, press the **ENTER** button to store. Press the **MENU** button back to the last menu or let the unit idle 30 seconds to exit menu mode.

### **M6x6 Subitem**

Select **M6x6 Subitem**, press the **ENTER** button to confirm, present mode will blink on the display, use the **UP/DOWN** button to adjust the value from **0** to **255**, press the **ENTER** button to store. Press the **MENU** button back to the last menu or let the unit idle 30 seconds to exit menu mode.

### **M6x6 Color**

Select **M6x6 Color**, press the **ENTER** button to confirm, present mode will blink on the display, use the **UP/DOWN** button to select **1. Red, 2. Green, 3. Blue** or **4. White**, and adjust the value from **0** to **255**, press the **ENTER** button to store. Press the **MENU** button back to the last menu or let the unit idle 30 seconds to exit menu mode.

### **M7x7 Dimmer**

Select **M7x7 Dimmer**, press the **ENTER** button to confirm, present mode will blink on the display, use the **UP/DOWN** button to adjust the value from **0** to **255**, press the **ENTER** button to store. Press the **MENU** button back to the last menu or let the unit idle 30 seconds to exit menu mode.

### **M7x7 Strobe**

Select **M7x7 Strobe**, press the **ENTER** button to confirm, present mode will blink on the display, use the **UP/DOWN** button to adjust the value from **0** to **255**, press the **ENTER** button to store. Press the **MENU** button back to the last menu or let the unit idle 30 seconds to exit menu mode.

### **M7x7 Random**

Select **M7x7 Random**, press the **ENTER** button to confirm, present mode will blink on the display, use the **UP/DOWN** button to adjust the value from **0** to **255**, press the **ENTER** button to store. Press the **MENU** button back to the last menu or let the unit idle 30 seconds to exit menu mode.

### **M7x7 Pattern**

Select **M7x7 Pattern**, press the **ENTER** button to confirm, present mode will blink on the display, use the **UP/DOWN** button to adjust the value from **0** to **255**, press the **ENTER** button to store. Press the **MENU** button back to the last menu or let the unit idle 30 seconds to exit menu mode.

### ***Auto Test***

To select **Auto Test**, press the **ENTER** button to confirm, the unit will run built-in programs to automatically test pan, tilt, dimmer, pattern, and so on. Press the **MENU** button back to the last menu or exit menu mode after auto test.

### ***Fixture Information***

To select **Fixture Information**, press the **ENTER** button to confirm, use the **UP/DOWN** button to select **LED Temperature**, **Power On Hours**, **LED On Hours** or **Software Version**.

#### **LED Temperature**

Select **LED Temperature**, press the **ENTER** button to confirm, temperature of the unit will show on the display, press the **MENU** button to exit.

#### **Power On Hours**

Select **Power On Hours**, press the **ENTER** button to confirm, fixture use time will show on the display, press the **MENU** button to exit.

#### **LED On Hours**

Select **LED On Hours**, press the **ENTER** button to confirm, LED use time will show on the display, press the **MENU** button to exit.

#### **Software Version**

Select **Software Version**, press the **ENTER** button to confirm, firmware version will show on the display, press the **MENU** button back to exit.

## ***Reset Functions***

### **All Reset**

Select **All Reset**, press the **ENTER** button to confirm, use the **UP/DOWN** button to select **No** or **Yes** (the unit will run built-in program to reset all motors to their home positions), press **ENTER** button to store. Press the **MENU** button to exit.

## ***Special Functions***

### **Factory Setting**

Select **Factory Setting**, press the **ENTER** button to confirm, use the **UP/DOWN** button to select **No** (normal) or **Yes** (the fixture will reset to factory settings), press **ENTER** button to store. Press the **MENU** button to exit.

## ***RDM FUNCTIONS***

Select the MANUFACTURER menu to display the manufacturer of the fixture.

Select the SOFTWARE VERSION menu and the program version number of the fixture will be displayed.

Select the DMX START ADDRESS menu to change the DMX 512 address (001-512).

Select the DEVICE MODEL DESCRIPTION menu to display the model of the fixture.

Select the DEVICE LABEL menu to change the model of the fixture.

Select the DMX PERSONALITY menu to set the channel mode of the fixture (166/206/22+144/21 channel).

Select the DMX PERSONALITY DESCRIPTION menu to display the current channel mode of the fixture.

Select the DEVICE HOURS menu to display the running time of the fixture.

Select the PAN INVERT menu and the fixture will run the pan invert mode.

Select the TILT INVERT menu and the fixture will run the tilt invert mode.

Select the RESET DEVICE menu, the WARM RESET/COLD RESET option will be displayed. When WARM RESET is selected, the fixture will start a warm reset, and exit when COLD RESET is selected.

## 4.2 Home Position Adjustment

Press the **MENU** button into menu mode, then press the **ENTER** button for about 3 seconds into offset mode to adjust the home position. Select the function by the **ENTER** button. Use the **UP/DOWN** button to choose the submenu, press the **ENTER** button to store and automatically return to the last menu. Press **MENU** button to exit.



### Pan

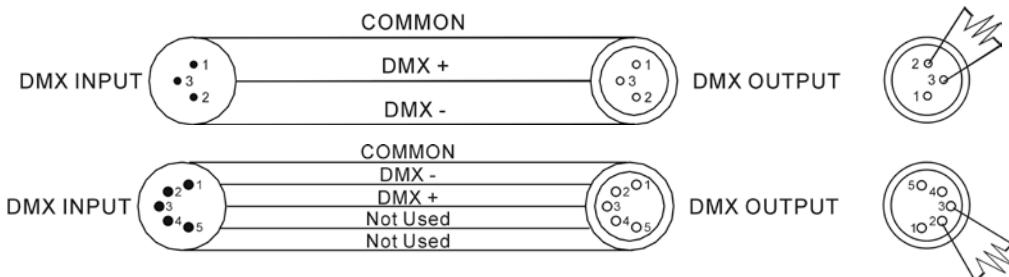
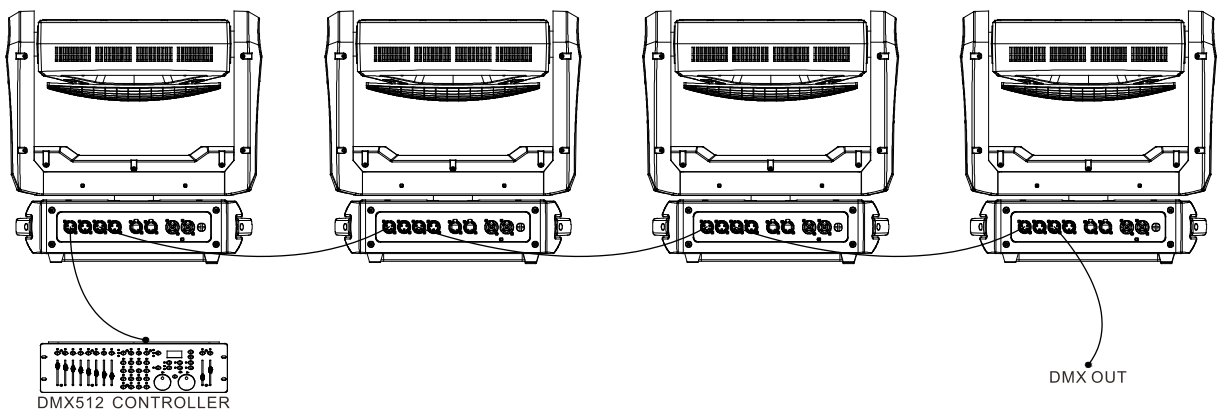
Enter offset mode, select **Pan**, press the **ENTER** button to confirm, the present position will blink on the display, use the **UP/DOWN** button to offset the value from -128 to 127, press the **ENTER** button to store. Press the **MENU** button to exit.

### Tilt

Enter offset mode, select **Tilt**, press the **ENTER** button to confirm, the present position will blink on the display, use the **UP/DOWN** button to offset the value from -128 to 127, press the **ENTER** button to store. Press the **MENU** button to exit.

## 5. Control By Universal DMX Controller

### 5.1 DMX512 Connection



1. At last unit, the DMX cable has to be terminated with a terminator. Solder a 120-ohm 1/4W resistor between pin 2(DMX-) and pin 3(DMX+) into a 3-pin XLR-plug and plug it in the DMX-output of the last unit.
2. Connect the unit together in a “daisy chain” by XLR plug cable from the output of the unit to the input of the next unit. The cable cannot be branched or split to a “Y” cable. DMX 512 is a very high-speed signal. Inadequate or damaged cables, soldered joints or corroded connectors can easily distort the signal and shut down the system.
3. The DMX output and input connectors are pass-through to maintain the DMX circuit, when one of the units’ power is disconnected.
4. Each lighting unit needs to have a DMX address to receive the data by the controller. The address number is between 1-512.
5. The end of the DMX 512 system should be terminated to reduce signal errors.
6. 3 pin XLR connectors are more popular than 5 pins XLR.
  - 3 pin XLR: Pin 1: GND, Pin 2: Negative signal (-), Pin 3: Positive signal (+)
  - 5 pin XLR: Pin 1: GND, Pin 2: Negative signal (-), Pin 3: Positive signal (+), Pin4, Pin5 not used.

## **5.2 Address Setting**

If you use a universal DMX controller to control the units, you have to set DMX address from 1 to 512 so that the units can receive DMX signal.

Press the MENU button to enter menu mode, select DMX Setting, press the ENTER button to confirm, use the UP/DOWN button to select Port A DMX Address or Port A DMX Address, press the ENTER button to confirm, the present address will blinking the display, use the UP/DOWN button to adjust the address from 001 to 512, press the ENTER button to store. Press the MENU button back to the last menu or let the unit idle 30 seconds to exit menu mode.



Please refer to the following diagram to address your DMX512 channel for the first 4 units.

Channel mode	Unit 1 Address	Unit 2 Address	Unit 3 Address	Unit 4 Address
166 channels	1	167	333	499
206 channels	1	207	413	/
22+144 channels	1	167	333	499
21 channels	1	22	43	64

### 5.3 DMX512 Configuration

Please refer to below configurations to control the fixtures

#### Attentions:

1. The unit will maintain the last condition until reset if you cut-off the DMX signal.
2. For the channel Function, keep the value for about 3 seconds, then the corresponding function will take into effect.

#### 166 Channels (Mode 1):

CHANNEL	VALUE	FUNCTION
1	000-255	<b>PAN</b> 0°→540°
2	000-255	<b>PAN FINE</b>
3	000-255	<b>TILT</b> 0°→450°
4	000-255	<b>TILT FINE</b>
5	000-254 255	<b>PAN/TILT SPEED</b> Fast to Slow Fast
6	000-127 128-189 190-193 194-255	<b>Pan Infinity</b> Pan Position CCW Infinity, Fast to Slow Stop CW Infinity, Slow to Fast
7	000-127 128-189 190-193 194-255	<b>Tilt Infinity</b> Tilt Position CW Infinity, Fast to Slow Stop CCW Infinity, Slow to Fast

<b>8</b>	000-069 070-079 080-255	<b>FUNCTION</b> No Function Reset All No Function
<b>9</b>	000-255	<b>DIMMER</b> 0%→100%
<b>10</b>	000-255	<b>DIMMER FINE</b>
<b>11</b>	000-007 008-015 016-131 132-139 140-181 182-189 190-231 232-239 240-247 248-255	<b>STROBE</b> Close Open Strobe, Slow to Fast Open Fast Close Slow Open Open Fast Open Slow Close Open Random Strobe Open
<b>12</b>	000-255	<b>RED</b> 0%→100%
<b>13</b>	000-255	<b>GREEN</b> 0%→100%
<b>14</b>	000-255	<b>BLUE</b> 0%→100%
<b>15</b>	000-255	<b>WHITE</b> 0%→100%
<b>16</b>	000-063 064-127 128-191 192-255	<b>RGBW EFFECT SWITCH</b> No Function Control "RGBW EFFECT MODE" Control "36 RGBW PIXEL" Control "R, G, B, W"
<b>17</b>	000-014 015-047 048-095 096-135 136-175 176-215 216-255	<b>RGBW EFFECT MODE</b> Blackout Full On Macro Effect (see channel 18-1) Number 1 to 9 (see channel 18-2) Letter A to Z (see channel 18-3) Letter a to z (see channel 18-4) Blackout
<b>18-1</b>	000-007 008-015 016-023 024-031 032-039	<b>MARCO EFFECT</b> No Function Effect 01 Effect 02 Effect 03 Effect 04

	040-047 048-055 056-063 064-071 072-079 080-087 088-095 096-103 104-111 112-119 120-127 128-135 136-143 144-151 152-159 160-167 168-175 176-183 184-191 192-199 200-207 208-215 216-223 224-231 232-239 240-247 248-255	Effect 05 Effect 06 Effect 07 Effect 08 Effect 09 Effect 10 Effect 11 Effect 12 Effect 13 Effect 14 Effect 15 Effect 16 Effect 17 Effect 18 Effect 19 Effect 20 Effect 21 Effect 22 Effect 23 Effect 24 Effect 25 Effect 26 Effect 27 Effect 28 Effect 29 Effect 30 Effect 31
<b>18-2</b>	000-025 026-048 049-071 072-094 095-117 118-140 141-163 164-186 187-209 210-232 233-255	<b>NUMBER 1 to 9</b> No Function Number-0 Number-1 Number-2 Number-3 Number-4 Number-5 Number-6 Number-7 Number-8 Number-9
<b>18-3</b>	000-021 022-030 031-039 040-048 049-057 058-066 067-075	<b>LETTER A to Z</b> No Function Letter-A Letter-B Letter-C Letter-D Letter-E Letter-F

	076-084 085-093 094-102 103-111 112-120 121-129 130-138 139-147 148-156 157-165 166-174 175-183 184-192 193-201 202-210 211-219 220-228 229-237 238-246 247-255	Letter-G Letter-H Letter-I Letter-J Letter-K Letter-L Letter-M Letter-N Letter-O Letter-P Letter-Q Letter-R Letter-S Letter-T Letter-U Letter-V Letter-W Letter-X Letter-Y Letter-Z
<b>18-4</b>	000-021 022-030 031-039 040-048 049-057 058-066 067-075 076-084 085-093 094-102 103-111 112-120 121-129 130-138 139-147 148-156 157-165 166-174 175-183 184-192 193-201 202-210 211-219 220-228 229-237 238-246	<b>LETTER a to z</b> No Function Letter-a Letter-b Letter-c Letter-d Letter-e Letter-f Letter-g Letter-h Letter-i Letter-j Letter-k Letter-l Letter-m Letter-n Letter-o Letter-p Letter-q Letter-r Letter-s Letter-t Letter-u Letter-v Letter-w Letter-x Letter-y

	247-255	Letter-z
<b>19</b>	000-010 011-063 064-073 074-127 128-137 138-191 192-201 202-255	<b>RANDOM STAR</b> Open Effect 1 Open Effect 2 Open Effect 3 Open Effect 4
<b>20</b>	000-011 012-023 024-035 036-047 048-059 060-071 072-083 084-095 096-107 108-119 120-131 132-143 144-155 156-167 168-179 180-191 192-203 204-215 216-227 228-239 240-255	<b>STAR PATTERN</b> Pattern 01 Pattern 02 Pattern 03 Pattern 04 Pattern 05 Pattern 06 Pattern 07 Pattern 08 Pattern 09 Pattern 10 Pattern 11 Pattern 12 Pattern 13 Pattern 14 Pattern 15 Pattern 16 Pattern 17 Pattern 18 Pattern 19 Pattern 20 No Function
<b>21</b>	000-255	<b>STAR DIMMER</b> 0%→100%
<b>22</b>	000-012 013-025 026-076 077-127 128-178 179-242 243-255	<b>STAR STROBE</b> Open Close Strobe, Slow to Fast Slow Open Fast Close Fast Open Slow Close Random Strobe, Slow to Fast Open
<b>23-166</b>	000-255	<b>36 RGBW PIXEL</b>

206 Channels (Mode 2):

CHANNEL	VALUE	FUNCTION
1	000-255	<b>PAN</b> 0°→540°
2	000-255	<b>PAN FINE</b>
3	000-255	<b>TILT</b> 0°→450°
4	000-255	<b>TILT FINE</b>
5	000-254 255	<b>PAN/TILT SPEED</b> Fast to Slow Fast
6	000-127 128-189 190-193 194-255	<b>Pan Infinity</b> Pan Position CCW Infinity, Fast to Slow Stop CW Infinity, Slow to Fast
7	000-127 128-189 190-193 194-255	<b>Tilt Infinity</b> Tilt Position CW Infinity, Fast to Slow Stop CCW Infinity, Slow to Fast
8	000-069 070-079 080-255	<b>FUNCTION</b> No Function Reset All No Function
9	000-255	<b>DIMMER</b> 0%→100%
10	000-255	<b>DIMMER FINE</b>
11	000-007 008-015 016-131 132-139 140-181 182-189 190-231 232-239 240-247 248-255	<b>STROBE</b> Close Open Strobe, Slow to Fast Open Fast Close Slow Open Open Fast Open Slow Close Open Random Strobe Open
12-155	000-255	<b>36 RGBW PIXEL</b>
156	000-255	<b>STAR DIMMER</b> 0%→100%

<b>157</b>	000-012 013-025 026-076 077-127 128-178 179-242 243-255	<b>STAR STROBE</b> Open Close Strobe, Slow to Fast Slow Open Fast Close Fast Open Slow Close Random Strobe, Slow to Fast Open
<b>158-206</b>	000-255	<b>49 STAR PIXEL</b>

**22+144 Channels (Mode 3):**

<b>CHANNEL</b>	<b>VALUE</b>	<b>FUNCTION</b>
<b>1(Port A)</b>	000-255	<b>PAN</b> 0°→540°
<b>2</b>	000-255	<b>PAN FINE</b>
<b>3</b>	000-255	<b>TILT</b> 0°→450°
<b>4</b>	000-255	<b>TILT FINE</b>
<b>5</b>	000-254 255	<b>PAN/TILT SPEED</b> Fast to Slow Fast
<b>6</b>	000-127 128-189 190-193 194-255	<b>Pan Infinity</b> Pan Position CCW Infinity, Fast to Slow Stop CW Infinity, Slow to Fast
<b>7</b>	000-127 128-189 190-193 194-255	<b>Tilt Infinity</b> Tilt Position CW Infinity, Fast to Slow Stop CCW Infinity, Slow to Fast
<b>8</b>	000-069 070-079 080-255	<b>FUNCTION</b> No Function Reset All No Function
<b>9</b>	000-255	<b>DIMMER</b> 0%→100%
<b>10</b>	000-255	<b>DIMMER FINE</b>
<b>11</b>	000-007	<b>STROBE</b> Close

	008-015 016-131 132-139 140-181 182-189 190-231 232-239 240-247 248-255	Open Strobe, Slow to Fast Open Fast Close Slow Open Open Fast Open Slow Close Open Random Strobe Open
<b>12</b>	000-255	<b>RED</b> 0%→100%
<b>13</b>	000-255	<b>GREEN</b> 0%→100%
<b>14</b>	000-255	<b>BLUE</b> 0%→100%
<b>15</b>	000-255	<b>WHITE</b> 0%→100%
<b>16</b>	000-063 064-127 128-191 192-255	<b>RGBW EFFECT SWITCH</b> No Function Control "RGBW EFFECT MODE" Control "36 RGBW PIXEL" Control "R, G, B, W"
<b>17</b>	000-014 015-047 048-095 096-135 136-175 176-215 216-255	<b>RGBW EFFECT MODE</b> Blackout Full On Macro Effect (see channel 18-1) Number 1 to 9 (see channel 18-2) Letter A to Z (see channel 18-3) Letter a to z (see channel 18-4) Blackout
<b>18-1</b>	000-007 008-015 016-023 024-031 032-039 040-047 048-055 056-063 064-071 072-079 080-087 088-095 096-103 104-111 112-119	<b>MARCO EFFECT</b> No Function Effect 01 Effect 02 Effect 03 Effect 04 Effect 05 Effect 06 Effect 07 Effect 08 Effect 09 Effect 10 Effect 11 Effect 12 Effect 13 Effect 14



	120-127 128-135 136-143 144-151 152-159 160-167 168-175 176-183 184-191 192-199 200-207 208-215 216-223 224-231 232-239 240-247 248-255	Effect 15 Effect 16 Effect 17 Effect 18 Effect 19 Effect 20 Effect 21 Effect 22 Effect 23 Effect 24 Effect 25 Effect 26 Effect 27 Effect 28 Effect 29 Effect 30 Effect 31
<b>18-2</b>	000-025 026-048 049-071 072-094 095-117 118-140 141-163 164-186 187-209 210-232 233-255	<b>NUMBER 1 to 9</b> No Function Number-0 Number-1 Number-2 Number-3 Number-4 Number-5 Number-6 Number-7 Number-8 Number-9
<b>18-3</b>	000-021 022-030 031-039 040-048 049-057 058-066 067-075 076-084 085-093 094-102 103-111 112-120 121-129 130-138 139-147 148-156 157-165	<b>LETTER A to Z</b> No Function Letter-A Letter-B Letter-C Letter-D Letter-E Letter-F Letter-G Letter-H Letter-I Letter-J Letter-K Letter-L Letter-M Letter-N Letter-O Letter-P

	166-174 175-183 184-192 193-201 202-210 211-219 220-228 229-237 238-246 247-255	Letter-Q Letter-R Letter-S Letter-T Letter-U Letter-V Letter-W Letter-X Letter-Y Letter-Z
<b>18-4</b>	000-021 022-030 031-039 040-048 049-057 058-066 067-075 076-084 085-093 094-102 103-111 112-120 121-129 130-138 139-147 148-156 157-165 166-174 175-183 184-192 193-201 202-210 211-219 220-228 229-237 238-246 247-255	<b>LETTER a to z</b> No Function Letter-a Letter-b Letter-c Letter-d Letter-e Letter-f Letter-g Letter-h Letter-i Letter-j Letter-k Letter-l Letter-m Letter-n Letter-o Letter-p Letter-q Letter-r Letter-s Letter-t Letter-u Letter-v Letter-w Letter-x Letter-y Letter-z
<b>19</b>	000-010 011-063 064-073 074-127 128-137 138-191 192-201 202-255	<b>RANDOM STAR</b> Open Effect 1 Open Effect 2 Open Effect 3 Open Effect 4

<p style="text-align: center;"><b>20</b></p>	<p>000-011 012-023 024-035 036-047 048-059 060-071 072-083 084-095 096-107 108-119 120-131 132-143 144-155 156-167 168-179 180-191 192-203 204-215 216-227 228-239 240-255</p>	<p style="text-align: center;"><b>STAR PATTERN</b></p> <p>Pattern 01 Pattern 02 Pattern 03 Pattern 04 Pattern 05 Pattern 06 Pattern 07 Pattern 08 Pattern 09 Pattern 10 Pattern 11 Pattern 12 Pattern 13 Pattern 14 Pattern 15 Pattern 16 Pattern 17 Pattern 18 Pattern 19 Pattern 20 No Function</p>
<p style="text-align: center;"><b>21</b></p>	<p>000-255</p>	<p style="text-align: center;"><b>STAR DIMMER</b></p> <p>0%→100%</p>
<p style="text-align: center;"><b>22</b></p>	<p>000-012 013-025 026-076 077-127 128-178 179-242 243-255</p>	<p style="text-align: center;"><b>STAR STROBE</b></p> <p>Open Close Strobe, Slow to Fast Slow Open Fast Close Fast Open Slow Close Random Strobe, Slow to Fast Open</p>
<p><b>23-166(Port B)</b></p>	<p>000-255</p>	<p style="text-align: center;"><b>36 RGBW PIXEL</b></p>

21 Channels (Mode 4):

CHANNEL	VALUE	FUNCTION
1	000-255	<b>PAN</b> 0°→540°
2	000-255	<b>PAN FINE</b>
3	000-255	<b>TILT</b> 0°→450°
4	000-255	<b>TILT FINE</b>
5	000-254 255	<b>PAN/TILT SPEED</b> Fast to Slow Fast
6	000-127 128-189 190-193 194-255	<b>Pan Infinity</b> Pan Position CCW Infinity, Fast to Slow Stop CW Infinity, Slow to Fast
7	000-127 128-189 190-193 194-255	<b>Tilt Infinity</b> Tilt Position CW Infinity, Fast to Slow Stop CCW Infinity, Slow to Fast
8	000-069 070-079 080-255	<b>FUNCTION</b> No Function Reset All No Function
9	000-255	<b>DIMMER</b> 0%→100%
10	000-255	<b>DIMMER FINE</b>
11	000-007 008-015 016-131 132-139 140-181 182-189 190-231 232-239 240-247 248-255	<b>STROBE</b> Close Open Strobe, Slow to Fast Open Fast Close Slow Open Open Fast Open Slow Close Open Random Strobe Open
12	000-255	<b>RED</b> 0%→100%
13	000-255	<b>GREEN</b> 0%→100%

<b>14</b>	000-255	<b>BLUE</b> 0%→100%
<b>15</b>	000-255	<b>WHITE</b> 0%→100%
<b>16</b>	000-014 015-047 048-095 096-135 136-175 176-215 216-255	<b>RGBW EFFECT MODE</b> Blackout Full On Macro Effect (see channel 17-1) Number 1 to 9 (see channel 17-2) Letter A to Z (see channel 17-3) Letter a to z (see channel 17-4) Blackout
<b>17-1</b>	000-007 008-015 016-023 024-031 032-039 040-047 048-055 056-063 064-071 072-079 080-087 088-095 096-103 104-111 112-119 120-127 128-135 136-143 144-151 152-159 160-167 168-175 176-183 184-191 192-199 200-207 208-215 216-223 224-231 232-239 240-247 248-255	<b>MARCO EFFECT</b> No Function Effect 01 Effect 02 Effect 03 Effect 04 Effect 05 Effect 06 Effect 07 Effect 08 Effect 09 Effect 10 Effect 11 Effect 12 Effect 13 Effect 14 Effect 15 Effect 16 Effect 17 Effect 18 Effect 19 Effect 20 Effect 21 Effect 22 Effect 23 Effect 24 Effect 25 Effect 26 Effect 27 Effect 28 Effect 29 Effect 30 Effect 31
<b>17-2</b>		<b>NUMBER 1 to 9</b>

	000-025 026-048 049-071 072-094 095-117 118-140 141-163 164-186 187-209 210-232 233-255	No Function Number-0 Number-1 Number-2 Number-3 Number-4 Number-5 Number-6 Number-7 Number-8 Number-9
<b>17-3</b>	000-021 022-030 031-039 040-048 049-057 058-066 067-075 076-084 085-093 094-102 103-111 112-120 121-129 130-138 139-147 148-156 157-165 166-174 175-183 184-192 193-201 202-210 211-219 220-228 229-237 238-246 247-255	<b>LETTER A to Z</b> No Function Letter-A Letter-B Letter-C Letter-D Letter-E Letter-F Letter-G Letter-H Letter-I Letter-J Letter-K Letter-L Letter-M Letter-N Letter-O Letter-P Letter-Q Letter-R Letter-S Letter-T Letter-U Letter-V Letter-W Letter-X Letter-Y Letter-Z
<b>17-4</b>	000-021 022-030 031-039 040-048 049-057 058-066 067-075	<b>LETTER a to z</b> No Function Letter-a Letter-b Letter-c Letter-d Letter-e Letter-f

	076-084 085-093 094-102 103-111 112-120 121-129 130-138 139-147 148-156 157-165 166-174 175-183 184-192 193-201 202-210 211-219 220-228 229-237 238-246 247-255	Letter-g Letter-h Letter-i Letter-j Letter-k Letter-l Letter-m Letter-n Letter-o Letter-p Letter-q Letter-r Letter-s Letter-t Letter-u Letter-v Letter-w Letter-x Letter-y Letter-z
<b>18</b>	000-010 011-063 064-073 074-127 128-137 138-191 192-201 202-255	<b>RANDOM STAR</b> Open Effect 1 Open Effect 2 Open Effect 3 Open Effect 4
<b>19</b>	000-011 012-023 024-035 036-047 048-059 060-071 072-083 084-095 096-107 108-119 120-131 132-143 144-155 156-167 168-179 180-191 192-203	<b>STAR PATTERN</b> Pattern 01 Pattern 02 Pattern 03 Pattern 04 Pattern 05 Pattern 06 Pattern 07 Pattern 08 Pattern 09 Pattern 10 Pattern 11 Pattern 12 Pattern 13 Pattern 14 Pattern 15 Pattern 16 Pattern 17

	204-215 216-227 228-239 240-255	Pattern 18 Pattern 19 Pattern 20 No Function
<b>20</b>	000-255	<b>STAR DIMMER</b> 0%→100%
<b>21</b>	000-012 013-025 026-076 077-127 128-178 179-242 243-255	<b>STAR STROBE</b> Open Close Strobe, Slow to Fast Slow Open Fast Close Fast Open Slow Close Random Strobe, Slow to Fast Open

## 6. Troubleshooting

Following are a few common problems that may occur during operation. Here are some suggestions for easy troubleshooting:

### A. The unit does not work, no light and the fan does not work

1. Check the connect power and main fuse.
2. Measure the mains voltage on the main connector.
3. Check the power on LED to see if it can be light up or not.

### B. Not responding to DMX controller

1. DMX LED should be on. If not, check DMX connectors, cables to see if they are linked properly.
2. If the DMX LED is on and no response to the channel, check the address settings and DMX polarity.
3. If you have intermittent DMX signal problems, check the pins on connectors or on PCB of the unit or the previous one.
4. Try to use another DMX controller.
5. Check to see if the DMX cables run near or run alongside to high voltage cables that may cause damage or interference to DMX interface circuit.

### C. One of the channels is not working well

1. The stepper motor might be damaged or the cable connected to the PCB is broken.
2. The motor's drive IC on the PCB might be out of condition.



## **7. Fixture Cleaning**

The cleaning of internal and external optical lenses and/or mirrors must be carried out periodically to optimize light output. Cleaning frequency depends on the environment in which the fixture operates: damp, smoky or particularly dirty surrounding can cause greater accumulation of dirt on the unit's optics.

- Clean with soft cloth and use normal glass to clean liquid.
- Always dry the parts carefully.
- Clean the external optics at least every 20 days.





**Innovation, Quality, Performance**