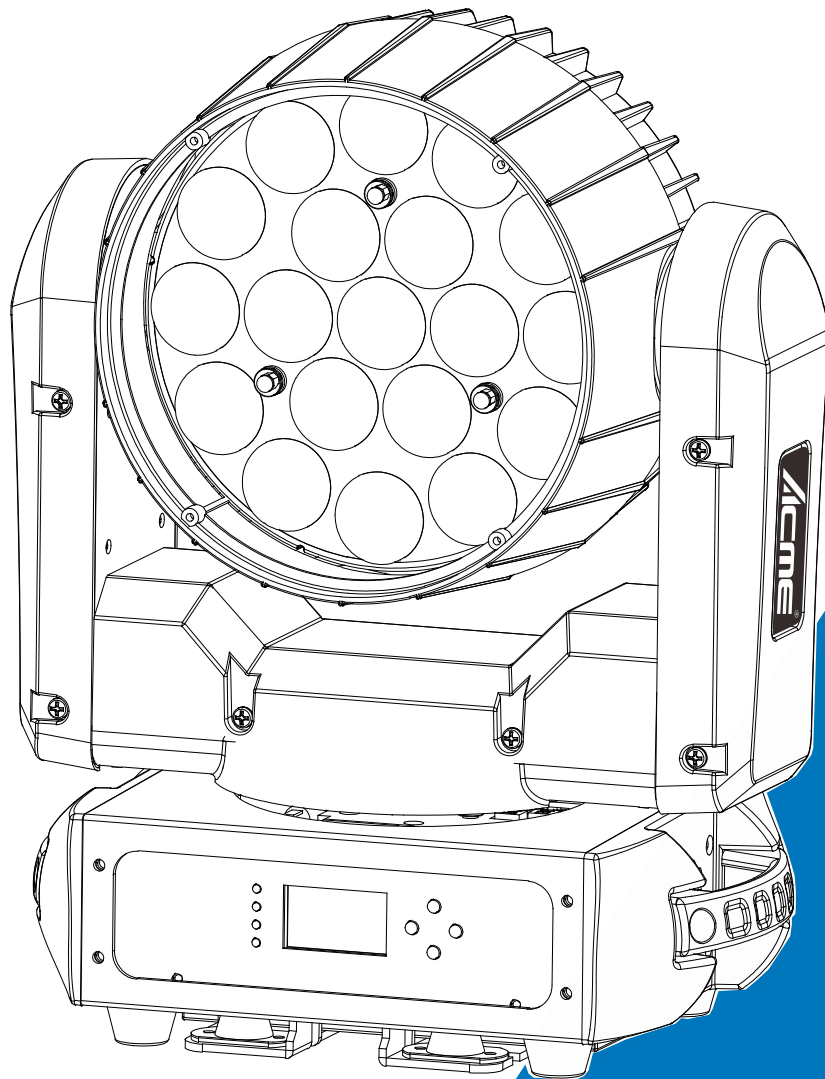




# PAGEANT 300ZR II



**User Manual**

Please read the instruction carefully before use

## CONTENTS

1. Safety Instructions .....	2
2. Technical Specifications.....	4
3. How To Set The Unit.....	5
3.1 Control Panel.....	5
3.2 Main Function .....	6
3.3 Home Position Adjustment.....	14
4. Control By Universal DMX Controller.....	15
4.1 DMX 512 Connection .....	15
4.2 Address Setting .....	16
4.3 DMX 512 Configuration .....	17
5. Troubleshooting .....	26
6. Fixture Cleaning .....	26

## 1. Safety Instructions



### WARNING

Please read the instruction carefully which includes important information about the installation, usage and maintenance.

Please keep this User Guide for future consultation. If you sell the unit to another user, be sure that they also receive this instruction manual.

### Important:

**Damages caused by the disregard of this user manual are not subject to warranty. The dealer will not accept liability for any resulting defects or problems.**

- Unpack and check carefully that there is no transportation damage before using the unit.
- This product is for indoor use only. Use only in a dry location.
- DO install and operate by qualified operator.
- DO NOT allow children to operate the fixture.
- Use safety chain when fixing the unit. Handle the unit by carrying its base instead of head only.
- The unit must be installed in a location with adequate ventilation, at least 50cm from adjacent surfaces.
- Be sure that no ventilation slots are blocked, otherwise the unit will be overheated.
- Before operating, ensure that the voltage and frequency of power supply match the power requirements of the unit.
- It's important to ground the yellow/green conductor to earth in order to avoid electric shock.
- Minimum ambient temperature TA: 0°C. Maximum ambient temperature TA: 40°C.
- DO NOT connect the device to any dimmer pack.
- During initial start-up some smoke or smell may arise. This is a normal process and does not necessarily mean that the device is defective, and it will decrease gradually within 15 minutes.
- Make sure there are no flammable materials close to the unit while operating to avoid fire hazard.
- Examine the power wires carefully; replace them immediately if there is any damage.
- Unit's surface temperature may reach up to 75°C. DO NOT touch the housing bare-handed

during its operation.

- Avoid any inflammable liquids, water or metal objects entering the unit. Once it happens, cut off the mains power immediately.
- DO NOT operate in dirty or dusty environment, do clean fixtures regularly.
- DO NOT touch any wire during operation as there might be a hazard of electric shock.
- Avoid power wires together twist other cables.
- The minimum distance between light output and the illuminated surface must be more than 0.5 meters.
- Disconnect mains power before fuse replacement or servicing.
- Replace fuse only with the same type.
- In the event of serious operating problem, stop using the unit immediately.
- Never turn on and off the unit time after time.
- The housing, the lenses, or the ultraviolet filter must be replaced if they are visibly damaged.
- DO NOT open the unit as there are no user serviceable parts inside.
- Never try to repair the unit by yourself. Repairs carried out by unskilled people can lead to damage or malfunction. Please contact the nearest authorized technical assistance center if needed.
- Disconnect the mains power if the fixture is has not been used for a long time.
- DO use the original packing materials before transporting it again.
- DO NOT look directly at the light while the LED is on.
- DO NOT start on the unit without LED enclosure or when housing is damaged.

### **Installation:**

The fixture should be mounted via its Omega Quick Release Clamp bracket. Always ensure that the unit is firmly fixed to avoid vibration and slipping while operating and make sure that the structure to which you are attaching the unit is secure and is able to support a weight of 10 times of the fixtures weight. Always use a safety cable that can hold 12 times of the weight of the fixture when installing.

The equipment must be installed by professionals. It must be installed in a place where is out of the reach of people and no one can pass by or under it.

## 2. Technical Specifications

### **Power Voltage:**

AC 100~240V, 50/60Hz

### **Power Consumption:**

270W

### **Light Source:**

19x15W RGBW LED

### **Zoom Range:**

10°~60°

### **Movement:**

Pan: 540°

Tilt: 270°

Pan/Tilt Resolution: 16bit

### **Dimmer/Shutter:**

0~100% smooth dimming, various strobe speeds

### **Control:**

DMX Channel: 14/26/30 channels

Control Mode: DMX512

Firmware Upgrade: Update via DMX link

### **Construction:**

Display: LCD display

Data In/Out: 3-pin & 5-pin XLR

Power In/Out: Power Connector in/out

Protection Rating: IP20

### **Features:**

Motorized linear zoom system

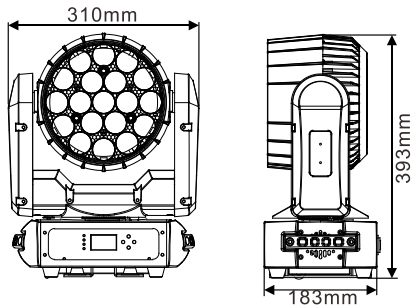
Ring control, outstanding color macro effect

Fast and mute operating, flicker free

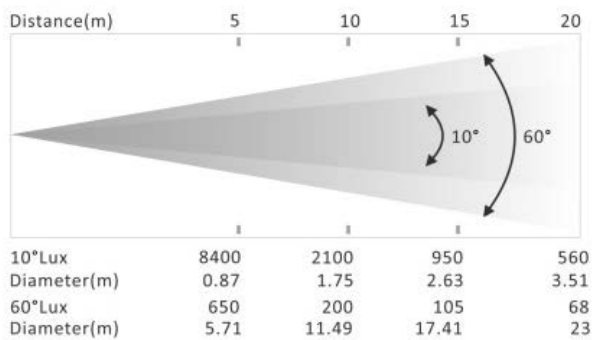
**Dimensions/Weight:**

310x183x393mm, 9kgs

12.2"x7.2"x15.4" in, 19.8lbs



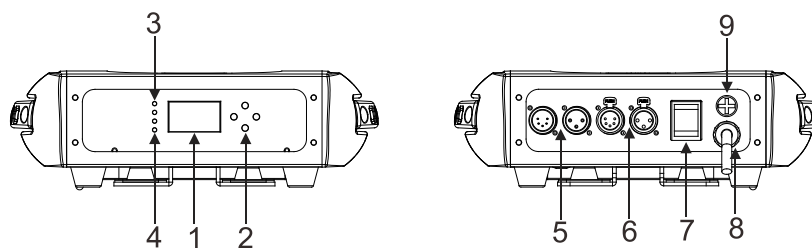
**Photometric Diagram**



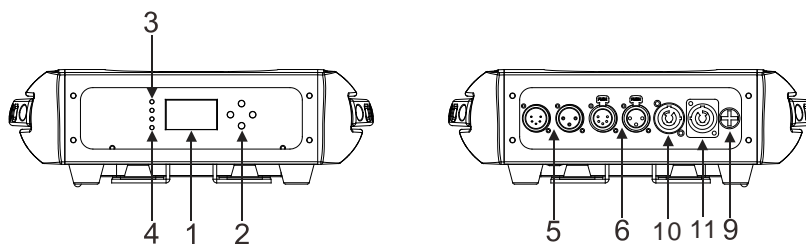
**3. How To Set The Unit**

**3.1 Control Panel**

Wire Version:



POWERCON Version:



**1. Display:** To show the various menus and the selected functions

**2. Button:**

<b>MENU</b>	To select the programming functions
<b>▼ DOWN</b>	To go forward in the selected functions
<b>▲ UP</b>	To go backward in the selected functions
<b>ENTER</b>	To confirm the selected functions

**LED:**

<b>3. POWER</b>	ON	Power On
<b>4. DMX</b>	ON	DMX input present

**5. DMX IN:** DMX512 link, use 3-pin/5-pin XLR cable to link the unit and DMX controller

**6. DMX OUT:** DMX512 link, use 3-pin/5-pin XLR cable to link the next unit

**7. Power Switch (Wire Version):** Turn on/off the power

**8. Power Cable (Wire Version):** Used to connect to supply power

**9. Fuse (T 6.3A):** To protect the unit from over-voltage or short circuit

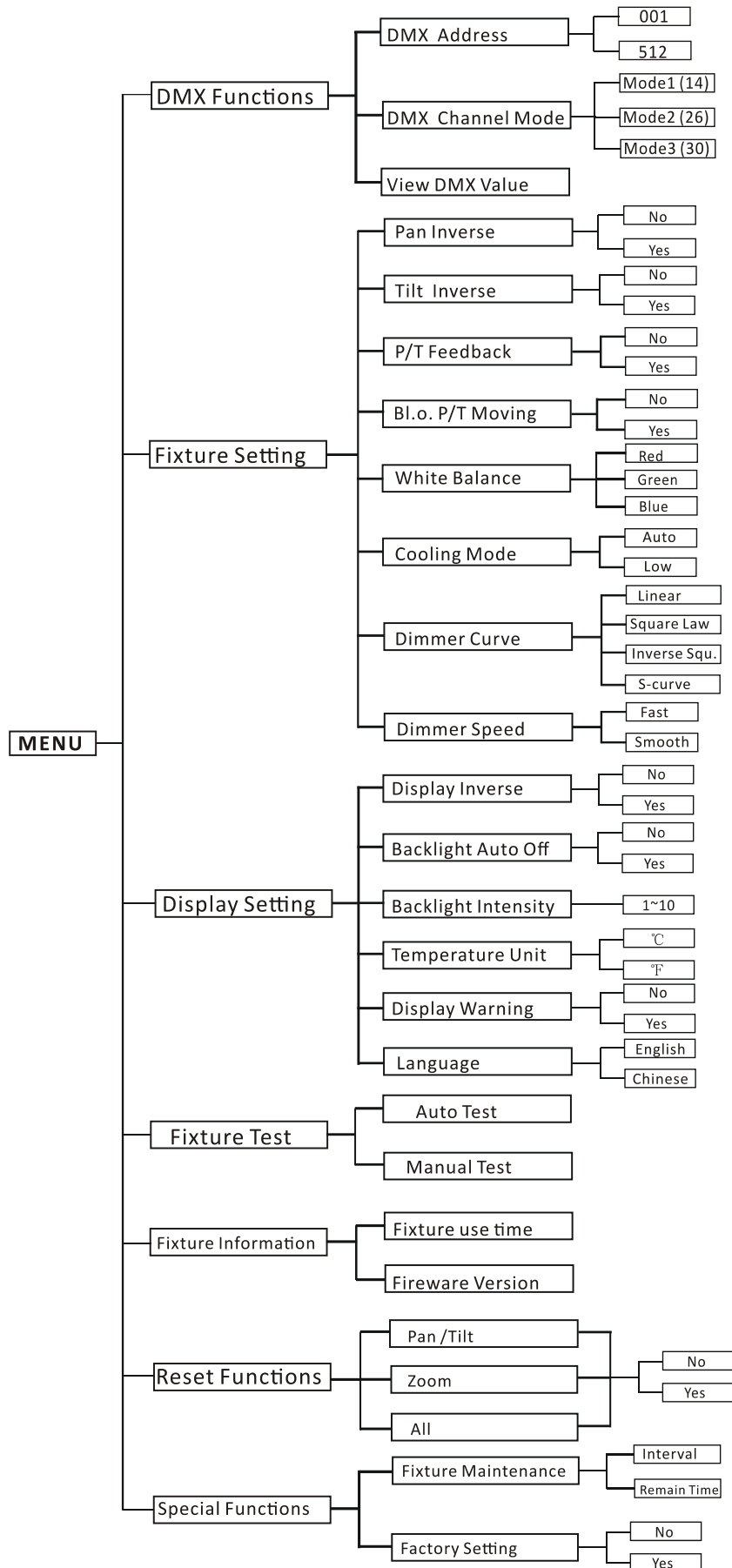
**10. MAINS IN (POWERCON Version):** Used to connect to the main power supply

**11. MAINS OUT (POWERCON Version):** Used to connect to the next unit

## 3.2 Main Function

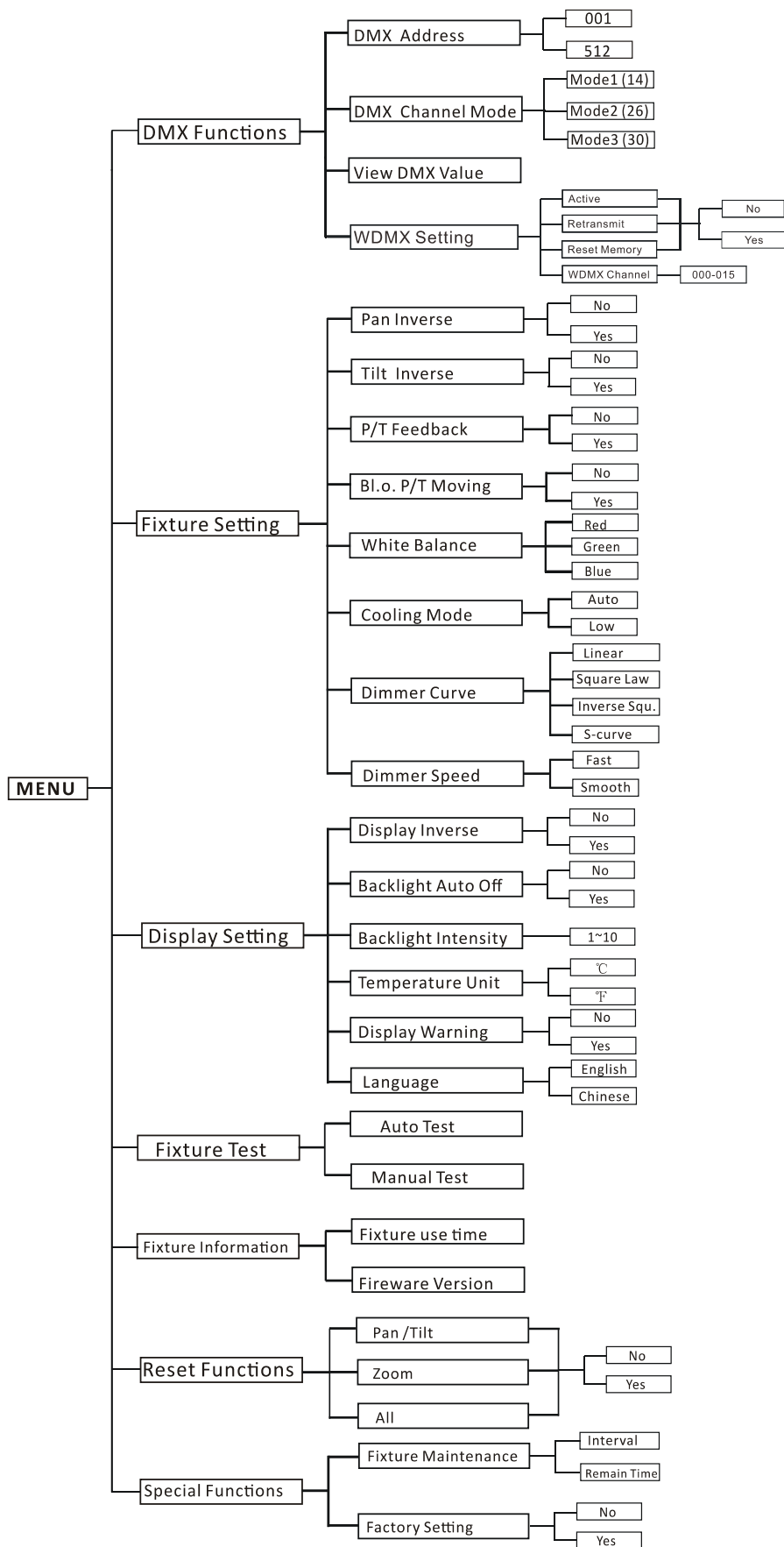
To select any of the given functions, press the **MENU** button until the required function is showing on the display. Select the function by pressing the **ENTER** button and the display will blink. Use the **DOWN/UP** buttons to change the mode. Once the required mode has been selected, press the **ENTER** button to setup. To go back to the functions without any change, press the **MENU** button again or wait for 30 seconds to exit the menu mode.

The main functions are shown overleaf:





Wireless Version:



## ***DMX Functions***

Enter MENU mode, select **DMX Functions**, press the **ENTER** button to confirm, use the **UP/DOWN** button to select **DMX Address**, **DMX Channel Mode** or **View DMX Value**.

### **DMX Address**

To select **DMX Address**, press the **ENTER** button to confirm. Use the **UP/DOWN** button to adjust the address from **001** to **512**, press the **ENTER** button to setup. Press the **MENU** button back to the last menu or let the unit idle 30 seconds to exit menu mode.

### **DMX Channel Mode**

To select **DMX Channel Mode**, press the **ENTER** button to confirm. Use the **UP/DOWN** button to select **Mode1 (14)**, **Mode2 (26)** or **Mode (30)**, and press the **ENTER** button to setup. Press the **MENU** button back to the last menu or let the unit idle 30 seconds to exit menu mode.

### **View DMX Value**

To select **View DMX Value**, press the **ENTER** button to confirm. Use the **UP/DOWN** button to view the DMX channel values. Press the **MENU** button back to the last menu or let the unit idle 30 seconds to exit menu mode.

### **WDMX Setting (Wireless Version)**

To select **WDMX Setting**, press the **ENTER** button to confirm. Use the **UP/DOWN** button to select **Active**, **Retransmit**, **Reset Memory** or **WDMX Channel**, and press the **ENTER** button to setup. Press the **MENU** button back to the last menu or let the unit idle 30 seconds to exit menu mode.

## ***Fixture Setting***

Enter MENU mode, select **Fixture Setting**, press the **ENTER** button to confirm, use the **UP/DOWN** button to select **Pan Inverse**, **Tile Inverse**, **P/T Feedback**, **BL.O. P/T Moving**, **White Balance**, **Cooling Mode**, **Dimmer Curve** or **Dimmer Speed**.

### **Pan Inverse**

To select **Pan Inverse**, press the **ENTER** button to confirm. Use the **UP/DOWN** button to select **No** (normal) or **Yes** (pan inverse), press the **ENTER** button to setup. Press the **MENU** button back to the last menu or let the unit idle 30 seconds to exit menu mode.

### **Tilt Inverse**

To select **Tilt Inverse**, press the **ENTER** button to confirm. Use the **UP/DOWN** button to select **No** (normal) or **Yes** (tilt inverse), press the **ENTER** button to setup. Press the **MENU** button back to the last menu or let the unit idle 30 seconds to exit menu mode.

### **P/T Feedback**

To select **P/T Feedback**, press the **ENTER** button to confirm. Use the **UP/DOWN** button to select **No** (Pan or tilt's position will not feedback while out of step) or **Yes** (Feedback while pan/tilt out of step), press the **ENTER** button to setup. Press the **MENU** button back to the last menu or let the unit idle 30 seconds to exit menu mode.

### **BL.O. P/T Moving**

To select **BL.O. P/T Moving**, press the **ENTER** button to confirm. Use the **UP/DOWN** button to select **No** (normal while pan/tilt moving) or **Yes** (blackout while pan/tilt moving), press the **ENTER** button to setup. Press the **MENU** button back to the last menu or let the unit idle 30 seconds to exit menu mode.

### **White Balance**

To select **White Balance**, press the **ENTER** button to confirm. Use the **UP/DOWN** button to select **Red**, **Green** or **Blue**. Once selected, press the **ENTER** button to confirm, and use the **UP/DOWN** button to adjust the value from 125 to 255, press the **ENTER** button to setup. Press the **MENU** button back to the last menu or let the unit idle 30 seconds to exit menu mode.

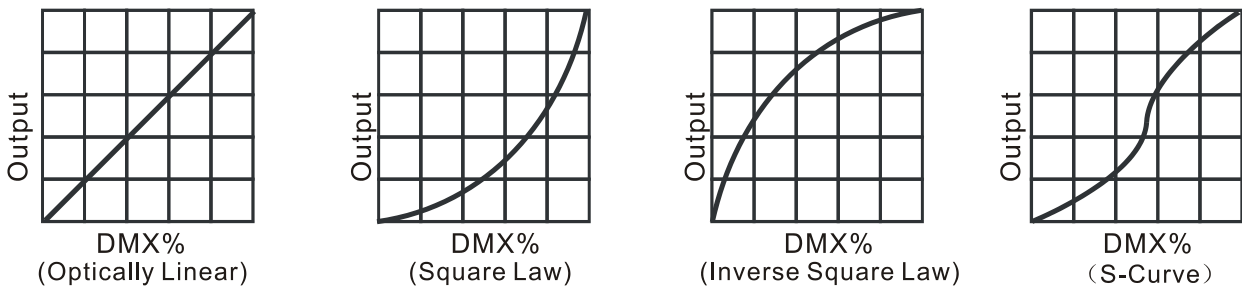
### **Cooling Mode**

To select **Cooling Mode**, press the **ENTER** button to confirm. Use the **UP/DOWN** button to select **Auto** (Normal) or **Low** (Low speed). Once selected, press the **ENTER** button to setup. Press the **MENU** button back to the last menu or let the unit idle 30 seconds to exit menu mode.

### **Dimmer Curve**

To select **Dimmer Curve**, press the **ENTER** button to confirm. Use the **UP/DOWN** button to select **Linear**, **Square Law**, **Inverse Squ.** or **S-curve**. Once selected, press the **ENTER** button to store. Press the **MENU** button back to the last menu or let the unit idle 30 seconds to exit menu mode.

### Dimmer Modes:



**Linear:** The increase in light intensity appears to be linear as DMX value is increased.

**Square Law:** Light intensity control is finer at low levels and coarser at high levels.

**Inverse Square Law:** Light intensity control is coarser at low levels and finer at high levels.

**S-curve:** Light intensity control is finer at low levels and high levels and coarser at medium levels.

### Dimmer Speed

To select **Dimmer Speed**, press the **ENTER** button to confirm. Use the **UP/DOWN** button to select **Fast** or **Smooth**. Once selected, press the **ENTER** button to setup. Press the **MENU** button back to the last menu or let the unit idle 30 seconds to exit menu mode.

### Display Setting

Enter MENU mode, select **Display Setting**, press the **ENTER** button to confirm, use the **UP/DOWN** button to select **Display Inverse**, **Backlight Auto Off**, **Backlight Intensity**, **Temperature unit**, **Display Warning** or **Language**.

### Display Inverse

To select **Display Inverse**, press the **ENTER** button to confirm. Use the **UP/DOWN** button to select **No** (normal) or **Yes** (display inverse). Once selected, press the **ENTER** button to store. Press the **MENU** button back to the last menu or let the unit idle 30 seconds to exit menu mode.

### Backlight Auto Off

To select **Backlight Auto Off**, press the **ENTER** button to confirm. Use the **UP/DOWN** button to select **No** (display always on) or **Yes** (display goes off one minute after exiting menu mode). Once selected, press the **ENTER** button to confirm and store. Press the **MENU** button back to the last menu or let the unit idle 30 seconds to exit menu mode.

### **Backlight Intensity**

To select **Backlight Intensity**, press the **ENTER** button to confirm. Use the **UP/DOWN** button to adjust the intensity from **1** (dark) to **10** (bright). Once selected, press the **ENTER** button to setup and store. Press the **MENU** button back to the last menu or let the unit idle 30 seconds to exit menu mode.

### **Temperature Unit**

To Select **Temperature Unit**, press the **ENTER** button to confirm. Use the **UP/DOWN** button to select °C or °F, press the **ENTER** button to store. Press the **MENU** button back to the last menu or let the unit idle 30 seconds to exit menu mode.

### **Display Warning**

To select **Display Warning**, press the **ENTER** button to confirm. Use the **UP/DOWN** button to select **No** (Normal) or **Yes** (display will show the error warning when the unit went wrong), press the **ENTER** button to store. Press the **MENU** button back to the last menu or let the unit idle 30 seconds to exit menu mode.

### **Language**

To select **Language**, press the **ENTER** button to confirm. Use the **UP/DOWN** button to select **English** or **Chinese**, press the **ENTER** button to store. Press the **MENU** button back to the last menu or let the unit idle 30 seconds to exit menu mode.

## ***Fixture Test***

Enter MENU mode, select **Fixture Test**, press the **ENTER** button to confirm, use the **UP/DOWN** button to select **Auto Test** or **Manual Test**.

### **Auto Test**

To select **Auto Test**, press the **ENTER** button, the unit will run built-in programs to automatically test pan, tilt and zoom. Press the **MENU** button back to the last menu or exit menu mode after auto test.

## **Manual Test**

To select **Manual Test**, press the **ENTER** button, and then use the **UP/DOWN** button to select channel, and adjust the channel value. Once selected, press the **ENTER** button to setup, the fixture will run as the channel value indicates. Press the **MENU** button back to the last menu or exit menu mode let the unit idle 30 seconds.

(All channels value will become 0 after exiting **Manual Test** menu)

## ***Fixture Information***

Enter MENU mode, select **Fixture Information**, press the **ENTER** button to confirm, use the **UP/DOWN** button to select **Fixture use time** or **Firmware Version**.

### **Fixture Use Time**

To select **Fixture Use Time**, press the **ENTER** button, the fixture working hours will show on the display. Press the **MENU** button to exit.

### **Firmware Version**

To select **Firmware Version**, press the **ENTER** button and the fixture software version will show on the display. Press the **MENU** button to exit.

## ***Reset Functions***

Enter MENU mode, select **Reset Functions**, press the **ENTER** button to confirm, use the **UP/DOWN** button to select **Pan/Tilt, Zoom** or **All**.

### **Pan/Tilt**

To Select **Pan/Tilt**, press the **ENTER** button to confirm. Use the **UP/DOWN** button to select **No** or **Yes** (the unit will run built-in program to reset pan and tilt to their home positions), press the **ENTER** button to store. Press the **MENU** button to exit menu mode.

### **Zoom**

To select **Zoom**, press the **ENTER** button to confirm. Use the **UP/DOWN** button to select **No** or **Yes** (the unit will run built-in program to reset zoom to its home positions), press the **ENTER** button to store. Press the **MENU** button to exit menu mode.

## All

To select **All**, press the **ENTER** button to confirm. Use the **UP/DOWN** button to select **No** or **Yes** (the unit will run built-in program to reset all motors to their home positions), press **ENTER** button to store. Press **MENU** button to exit menu mode.

## Special Functions

Enter MENU mode, select **Special Functions**, press the **ENTER** button to confirm, use the **UP/DOWN** button to select **Fixture Maintenance** or **Factory Setting**.

### Fixture Maintenance

To select **Fixture Maintenance**, press the **ENTER** button to confirm. Use the **UP/DOWN** button to select **Interval** or **Remain Time**.

#### Interval

To select **Interval**, press the **ENTER** button to confirm, the interval time will be shown on the display. Press the **MENU** button to exit.

#### Remain Time

To select **Remain Time**, press the **ENTER** button to confirm, the remaining time will be shown on the display. Press the **MENU** button to exit.

### Factory Setting

To select **Factory Setting**, press the **ENTER** button to confirm. Press the **ENTER** button to confirm, use the **UP/DOWN** button to select **No** or **Yes** (the fixture will reset to factory settings and exit menu mode).

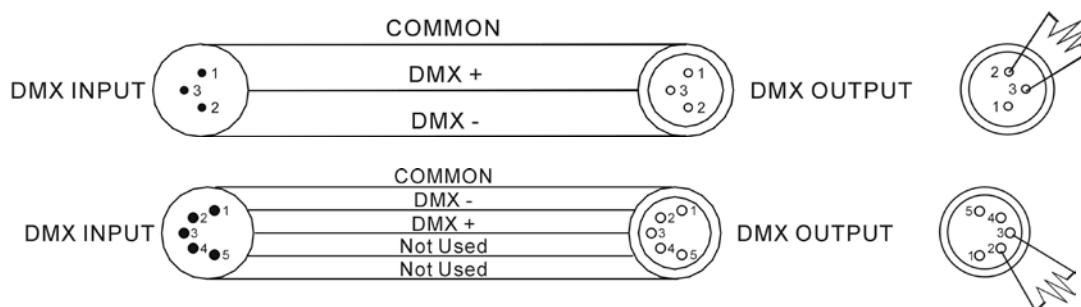
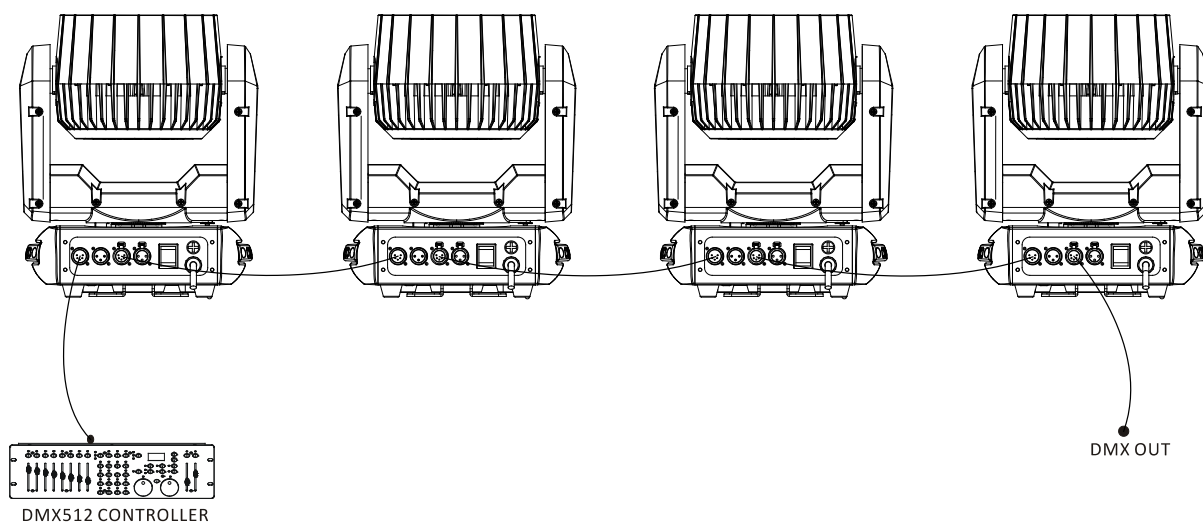
## 3.3 Home Position Adjustment



In the main functions, hold the **ENTER** button for at least 3 seconds into offset mode, use the **DOWN/UP** button up to select **Pan**, **Tilt** or **Zoom**, and press the **ENTER** button to confirm. Use the **DOWN/UP** button to adjust the home position of the Pan, Tilt or Zoom, Once the position has been selected, press the **ENTER** button to setup, to go back to the functions without any change press the **MENU** button again. Press and hold the **MENU** button or wait for about 30 seconds to exit the menu mode.

## 4. Control By Universal DMX Controller

### 4.1 DMX512 Connection



1. If you using a controller with 5 pins DMX output, you need to use a 5 to 3 pin adapter-cable.
2. At last unit, the DMX cable has to be terminated with a terminator. Solder a 120 ohm 1/4W resistor between pin 2(DMX-) and pin 3(DMX+) into a 3-pin XLR-plug and plug it in the DMX-output of the last unit.



3. Connect the unit together in a `daisy chain` by XLR plug from the output of the unit to the input of the next unit. The cable can not branched or split to a `Y` cable. DMX 512 is a very high-speed signal. Inadequate or damaged cables, soldered joints or corroded connectors can easily distort the signal and shut down the system.
4. The DMX output and input connectors are pass-through to maintain the DMX circuit, when one of the units' power is disconnected.
5. Each lighting unit needs to have an address set to receive the data sent by the controller. The address number is between 1-512.
6. The end of the DMX 512 system should be terminated to reduce signal errors.
7. 3 pin XLR connectors are more popular than 5 pin XLR.
  - 3 pin XLR: Pin 1: GND, Pin 2: Negative signal (-), Pin 3: Positive signal (+).
  - 5 pin XLR: Pin 1: GND, Pin 2: Negative signal (-), Pin 3: Positive signal (+), Pin 4/Pin 5: Not used.

## 4.2 Address Setting

If you use a universal DMX controller to control the units, you have to set DMX address from 1 to 512 so that the units can receive DMX signal.

Press MENU button to enter menu mode, select DMX Functions, press the ENTER button to confirm, use the UP/DOWN button to select DMX Address, press the ENTER button to confirm, the present address will blink on the display, use the UP/DOWN button to adjust the address from 001 to 512, and press the ENTER button to store. Press the MENU button back to the last menu or let the unit idle 30 seconds to exit menu mode.

Please refer to the following diagram to address your DMX512 channel for the first 4 units:

Channel mode	Unit 1 Address	Unit 2 Address	Unit 3 Address	Unit 4 Address
14 channels	1	15	29	43
26 channels	1	27	53	79
30 channels	1	31	61	91

## 4.3 DMX512 Configuration

Please refer to below configurations to control the fixtures

### Attentions:

1. The unit will maintain the last condition until reset if you cut-off the DMX signal.
2. For the channel Function, keep the value for about 3 seconds, then the corresponding function will take into effect.

### 14 Channels Mode(Mode 1):

CHANNEL	VALUE	FUNCTION
1	000-255	<b>PAN</b> 0°→540°
2	000-255	<b>PAN FINE</b>
3	000-255	<b>TILT</b> 0°→270°
4	000-255	<b>TILT FINE</b>
5	000-255	<b>PAN/TILT SPEED</b> fast→slow
6	000-009 010-014 015-255	<b>SPECIAL FUNCTIONS</b> No function Reset all No function
7	000-255	<b>DIMMER</b> 0%→100%
8	000-019 020-024 025-064 065-069 070-084 085-089 090-104 105-109 110-124 125-129 130-144 145-149 150-164 165-169 170-184	<b>SHUTTER</b> No function Open Strobe 1: fast → slow Open Strobe 2: slow open fast close, fast → slow Open Strobe 3: fast open slow close, fast → slow Open Strobe 4: random strobe, fast → slow Open Strobe 5: random slow open fast close, fast → slow Open Strobe 6: random fast open slow close, fast → slow Open Strobe 7: burst pulse, fast → slow

	185-189 190-204 205-209 210-224 225-229 230-244 245-255	Open Strobe 8: random burst pulse, fast → slow Open Strobe 9: sine wave, fast → slow Open Strobe 10: burst, fast → slow Open
<b>9</b>	000-255	<b>RED (0%→100%)</b>
<b>10</b>	000-255	<b>GREEN (0%→100%)</b>
<b>11</b>	000-255	<b>BLUE (0%→100%)</b>
<b>12</b>	000-255	<b>WHITE (0%→100%)</b>
<b>13</b>	000-009 010-014 015-019 020-024 025-029 030-034 035-039 040-044 045-049 050-054 055-059 060-064 065-069 070-074 075-079 080-084 085-089 090-094 095-099 100-104 105-109 110-114 115-119 120-124 125-129 130-134 135-139 140-144 145-149 150-154 155-159	<b>COLOR PRESET</b> Open Color 1 Color 2 Color 3 Color 4 Color 5 Color 6 Color 7 Color 8 Color 9 Color 10 Color 11 Color 12 Color 13 Color 14 Color 15 Color 16 Color 17 Color 18 Color 19 Color 20 Color 21 Color 22 Color 23 Color 24 Color 25 Color 26 Color 27 Color 28 Color 29 Color 30

	160-164 165-169 170-174 175-179 180-201 202-207 208-229 230-234 235-239 240-244 245-249 250-255	Color 31 Color 32 Color 33 Open Color change, fast → slow Stop Color change, slow → fast Open Color change: fast Color change: standard Color change: slow Open
<b>14</b>	000-255	<b>ZOOM</b> 60°→10°

#### 26 Channels Mode(mode 2):

CHANNEL	VALUE	FUNCTION
<b>1</b>	000-255	<b>PAN</b> 0°→540°
<b>2</b>	000-255	<b>PAN FINE</b>
<b>3</b>	000-255	<b>TILT</b> 0°→270°
<b>4</b>	000-255	<b>TILT FINE</b>
<b>5</b>	000-255	<b>PAN/TILT SPEED</b> fast→slow
<b>6</b>	000-255	<b>ZOOM</b> 60°→10°
<b>7</b>	000-009 010-014 015-255	<b>SPECIAL FUNCTIONS</b> No function Reset all No function
<b>8</b>	000-255	<b>DIMMER</b> 0%→100%
<b>9</b>	000-019 020-024 025-064 065-069 070-084 085-089	<b>SHUTTER</b> No function Open Strobe 1: fast → slow Open Strobe 2: slow open fast close, fast → slow Open

	090-104 105-109 110-124 125-129 130-144 145-149 150-164 165-169 170-184 185-189 190-204 205-209 210-224 225-229 230-244 245-255	Strobe 3: fast open slow close, fast → slow Open Strobe 4: random strobe, fast → slow Open Strobe 5: random slow open fast close, fast → slow Open Strobe 6: random fast open slow close, fast → slow Open Strobe 7: burst pulse, fast → slow Open Strobe 8: random burst pulse, fast → slow Open Strobe 9: sine wave, fast → slow Open Strobe 10: burst, fast → slow Open
<b>10</b>	000-255	<b>RING 1 RED (0%→100%)</b>
<b>11</b>	000-255	<b>RING 1 GREEN (0%→100%)</b>
<b>12</b>	000-255	<b>RING 1 BLUE (0%→100%)</b>
<b>13</b>	000-255	<b>RING 1 WHITE (0%→100%)</b>
<b>14</b>	000-009 010-017 018-024 025-032 033-039 040-047 048-054 055-061 062-069 070-076 077-084 085-091 092-099 100-106 107-113 114-121 122-128 129-136 137-143 144-151 152-158 159-165	<b>RING 1 COLOR PRESET</b> Open Color1 Color2 Color3 Color4 Color5 Color6 Color7 Color8 Color9 Color10 Color11 Color12 Color13 Color14 Color15 Color16 Color17 Color18 Color19 Color20 Color21

	166-173 174-180 181-188 189-195 196-203 204-210 211-217 218-225 226-232 233-240 241-247 248-255	Color22 Color23 Color24 Color25 Color26 Color27 Color28 Color29 Color30 Color31 Color32 Color33
<b>15</b>	000-255	<b>RING 2 RED (0%→100%)</b>
<b>16</b>	000-255	<b>RING 2 GREEN (0%→100%)</b>
<b>17</b>	000-255	<b>RING 2 BLUE (0%→100%)</b>
<b>18</b>	000-255	<b>RING 2 WHITE (0%→100%)</b>
<b>19</b>	000-255	<b>RING 2 COLOR PRESET</b> (The same as CH14: RING 1 COLOR PRESET)
<b>20</b>	000-255	<b>RING 3 RED (0%→100%)</b>
<b>21</b>	000-255	<b>RING 3 GREEN (0%→100%)</b>
<b>22</b>	000-255	<b>RING 3 BLUE (0%→100%)</b>
<b>23</b>	000-255	<b>RING 3 WHITE (0%→100%)</b>
<b>24</b>	000-255	<b>RING 3 COLOR PRESET</b> (The same as CH14: RING 1 COLOR PRESET)
<b>25</b>	000-007 008-022 023-037 038-052 053-067 068-082 083-097 098-112 113-127 128-142 143-157 158-172 173-187 188-202 203-217 218-232 233-247	<b>COLOR MACRO</b> Blackout Macro 1 Macro 2 Macro 3 Macro 4 Macro 5 Macro 6 Macro 7 Macro 8 Macro 9 Macro 10 Macro 11 Macro 12 Macro 13 Macro 14 Macro 15 Macro 16

	248-255	Macro 17
<b>26</b>	000-255	<b>COLOR MACRO SPEED</b> Slow→Fast

**30 Channels Mode (mode 3):**

CHANNEL	VALUE	FUNCTION
<b>1</b>	000-255	<b>PAN</b> 0°→540°
<b>2</b>	000-255	<b>PAN FINE</b>
<b>3</b>	000-255	<b>TILT</b> 0°→270°
<b>4</b>	000-255	<b>TILT FINE</b>
<b>5</b>	000-255	<b>PAN/TILT SPEED</b> fast→slow
<b>6</b>	000-255	<b>ZOOM</b> 60°→10°
<b>7</b>	000-009 010-014 015-255	<b>SPECIAL FUNCTIONS</b> No function Reset all No function
<b>8</b>	000-255	<b>DIMMER</b> 0%→100%
<b>9</b>	000-019 020-024 025-064 065-069 070-084 085-089 090-104 105-109 110-124 125-129 130-144 145-149 150-164 165-169 170-184 185-189 190-204	<b>SHUTTER</b> No function Open Strobe 1: fast → slow Open Strobe 2: slow open fast close, fast → slow Open Strobe 3: fast open slow close, fast → slow Open Strobe 4: random strobe, fast → slow Open Strobe 5: random slow open fast close, fast → slow Open Strobe 6: random fast open slow close, fast → slow Open Strobe 7: burst pulse, fast → slow Open Strobe 8: random burst pulse, fast → slow

	205-209 210-224 225-229 230-244 245-255	Open Strobe 9: sine wave, fast → slow Open Strobe 10: burst, fast → slow Open
<b>10</b>	000-255	<b>RING 1 RED (0%→100%)</b>
<b>11</b>	000-255	<b>RING 1 GREEN (0%→100%)</b>
<b>12</b>	000-255	<b>RING 1 BLUE (0%→100%)</b>
<b>13</b>	000-255	<b>RING 1 WHITE (0%→100%)</b>
<b>14</b>	000-009 010-017 018-024 025-032 033-039 040-047 048-054 055-061 062-069 070-076 077-084 085-091 092-099 100-106 107-113 114-121 122-128 129-136 137-143 144-151 152-158 159-165 166-173 174-180 181-188 189-195 196-203 204-210 211-217 218-225 226-232 233-240 241-247	<b>RING 1 COLOR PRESET</b> Open Color1 Color2 Color3 Color4 Color5 Color6 Color7 Color8 Color9 Color10 Color11 Color12 Color13 Color14 Color15 Color16 Color17 Color18 Color19 Color20 Color21 Color22 Color23 Color24 Color25 Color26 Color27 Color28 Color29 Color30 Color31 Color32



	248-255	Color33
<b>15</b>	000-255	<b>RING 2 RED (0%→100%)</b>
<b>16</b>	000-255	<b>RING 2 GREEN (0%→100%)</b>
<b>17</b>	000-255	<b>RING 2 BLUE (0%→100%)</b>
<b>18</b>	000-255	<b>RING 2 WHITE (0%→100%)</b>
<b>19</b>	000-255	<b>RING 2 COLOR PRESET</b> (The same as CH14: RING 1 COLOR PRESET)
<b>20</b>	000-255	<b>RING 3 RED (0%→100%)</b>
<b>21</b>	000-255	<b>RING 3 GREEN (0%→100%)</b>
<b>22</b>	000-255	<b>RING 3 BLUE (0%→100%)</b>
<b>23</b>	000-255	<b>RING 3 WHITE (0%→100%)</b>
<b>24</b>	000-255	<b>RING 3 COLOR PRESET</b> (The same as CH14: RING 1 COLOR PRESET)
<b>25</b>	000-007 008-022 023-037 038-052 053-067 068-082 083-097 098-112 113-127 128-142 143-157 158-172 173-187 188-202 203-217 218-232 233-247 248-255	<b>COLOR MACRO</b> Blackout Macro 1 Macro 2 Macro 3 Macro 4 Macro 5 Macro 6 Macro 7 Macro 8 Macro 9 Macro 10 Macro 11 Macro 12 Macro 13 Macro 14 Macro 15 Macro 16 Macro 17
<b>26</b>	000-255	<b>COLOR MACRO SPEED</b> Slow→Fast
<b>27</b>	000-009 010-031 032-063 064-095 096-127 128-159	<b>RING COLOR MACRO 1</b> No Function Macro 1 Macro 2 Macro 3 Macro 4 Macro 5

	160-191 192-223 224-255	Macro 6 Macro 7 Macro 8
<b>28</b>	000-015 016-039 040-063 064-087 088-111 112-135 136-159 160-183 184-207 208-231 232-255	<b>RING COLOR MACRO 2</b> No Function Macro 1 Macro 2 Macro 3 Macro 4 Macro 5 Macro 6 Macro 7 Macro 8 Macro 9 Macro 10
<b>29</b>	000-015 016-027 028-039 040-051 052-063 064-075 076-087 088-099 100-111 112-123 124-135 136-147 148-159 160-171 172-183 184-195 196-207 208-219 220-231 232-243 244-255	<b>RING COLOR MACRO 3</b> Macro 1 Macro 2 Macro 3 Macro 4 Macro 5 Macro 6 Macro 7 Macro 8 Macro 9 Macro 10 Macro 11 Macro 12 Macro 13 Macro 14 Macro 15 Macro 16 Macro 17 Macro 18 Macro 19 Macro 20 Macro 21
<b>30</b>	000-127 128-255	<b>COLOR SPEED 2</b> Jump: slow→fast Fade: slow→fast

## 5. Troubleshooting

Following are a few common problems that may occur during operation. Here are some suggestions for easy troubleshooting:

### A. The unit does not work, no light and the fan does not work

1. Check the connection of power and main fuse.
2. Measure the mains voltage on the main connector.
3. Check the power on LED.

### B. Not responding to DMX controller

1. DMX LED should be on. If not, check DMX connectors, cables to see if link properly.
2. If the DMX LED is on and no response to the channel, check the address settings and DMX polarity.
3. If you have intermittent DMX signal problems, check the pins on connectors or on PCB of the unit or the previous one.
4. Try to use another DMX controller.
5. Check if the DMX cables run near or run alongside to high voltage cables that may cause damage or interference to DMX interface circuit.

### C. One of the channels is not working well

1. The stepper motor might be damaged or the cable connected to the PCB is broken.
2. The motor's drive IC on the PCB might be out of condition.

## 6. Fixture Cleaning

The cleaning must be carried out periodically to optimize light output. Cleaning frequency depends on the environment in which the fixture operates: damp, smoky or particularly dirty surrounding can cause greater accumulation of dirt on the unit's optics.

- Clean with soft cloth using normal glass cleaning fluid.
- Always dry the parts carefully.
- Clean the external optics at least every 20 days. Clean the internal optics at least every 30 days.

## **Declaration of Conformity**

We declare that our products (lighting equipments) comply with the following specification and bears CE mark in accordance with the provision of the Electromagnetic Compatibility (EMC) Directive 2004/108/EC.

EN 55103-1: 2009+A1: 2012; EN 55103-2: 2009;  
EN 61000-3-2: 2014; EN 61000-3-3: 2013.

**&**

## **Harmonized Standard**

EN 60598-2-17: 1989+A2: 1991; EN 60598-1: 2015;  
EN 62031: 2008+A1: 2013+A2: 2015; EN 62471: 2008;  
EN 62493: 2015.

Safety of household and similar electrical appliances  
Part 1: General requirements

# **Innovation, Quality, Performance**