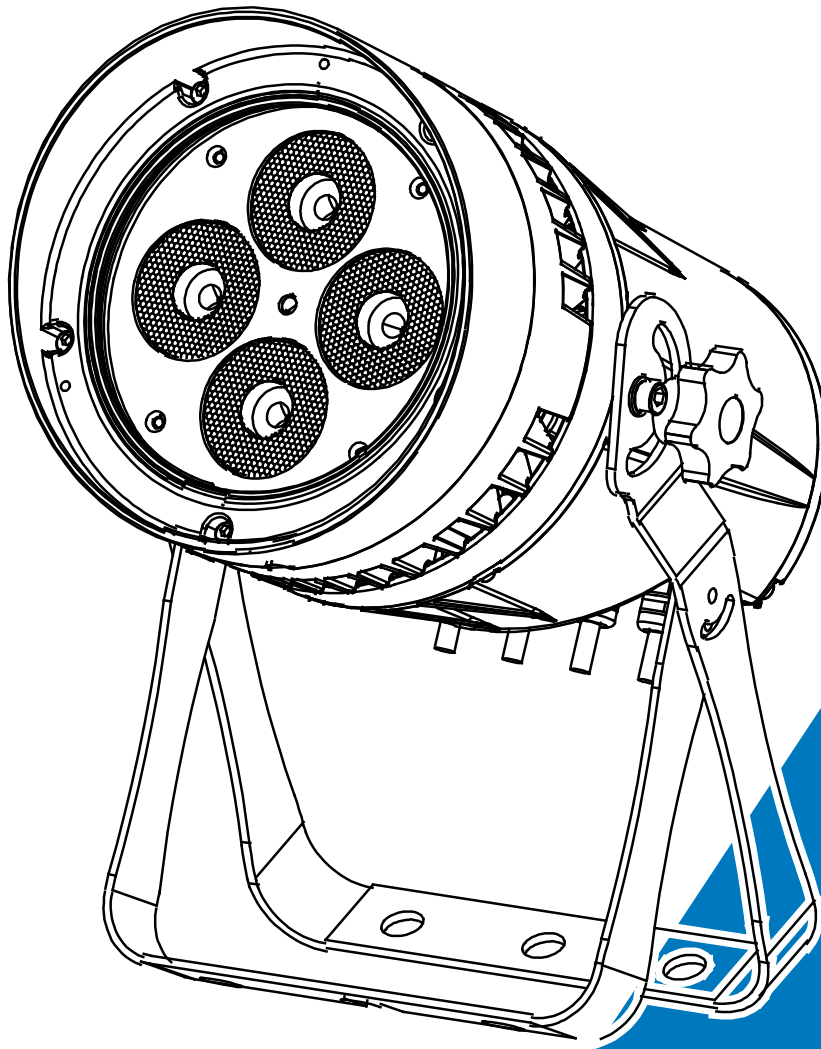




# BUILDING PROJECTOR

BP-40 QW S DXX



**User Manual**

Please read the instruction carefully before use

## CONTENT

1. Safety Instructions .....	2
2. Technical Specifications .....	3
3. How To Set The Fixture .....	4
4. How To Control The Unit .....	10
5. DMX512 Connections .....	13
6. Troubleshooting.....	14
7. Cleaning And Maintenance.....	15

# 1. Safety Instructions



Please read the instructions carefully which includes important information about the installation, operation and maintenance.

## WARNING

- Please keep this User Guide for future consultation. If you sell the fixture to another user, be sure that they also receive this instruction booklet.



**DANGER!**  
Safety hazard.  
Risk of severe injury or death.



**DANGER!**  
Hazardous voltage. Risk of lethal or severe electric shock.



**WARNING!**  
Fire hazard.



**WARNING!**  
LED light emission. Risk of eye injury.



**WARNING!**  
Burn hazard. Hot surface. Do not touch.



**WARNING!** Refer to user manual.

## Cautions:

- All fixtures are intact from the manufacturer, please operate follow up the user manual, artificial fault are not under guarantee repair.
- Please unpack and check carefully there is no transportation damage before using the fixture.
- Please install and operate by qualified technician.
- Before operating, ensure that the voltage and frequency of power supply match the power requirements of the fixture.
- It's important to ground with yellow/green conductor to earth in order to avoid electric shock.
- Maximum ambient temperature is 40°C. Don't operate it where the temperature is higher than this.
- DO NOT connect the device to any dimmer pack.
- Please make sure there are no flammable materials close to the fixture while operating, as it is fire hazard.
- Please look over power wires carefully, replace immediately if there is any damage.
- Please avoid any inflammable liquids, water or metal objects entering the fixture. Once it happens, cut off the mains power immediately.
- DO NOT operate in dirty and dusty environment, also cleaning fixtures regularly.

- DO NOT allow children to operate the fixture.
- DO NOT touch any wire during operation as there might be a hazard of electric shock.
- In the event of serious operating problem, stop using the fixture immediately.
- DO NOT open the fixture as there are no user serviceable parts inside. Never try to repair the fixture by yourself. Repairs carried out by unskilled people can lead to damage or malfunction. Please contact the nearest authorized technical assistance center.
- Please disconnect the mains power if the fixture is not used for a long time.
- Please use original packing materials once transport it again.
- DO NOT look directly at the LED light beam while the fixture is on.

## 2. Technical Specifications

### Features:

IP66 rated LED Spotlight with rich, saturated color mixing effect via specially designed lens provides outstanding light output;

Compact design with great heat ventilation in a rugged die-cast aluminum housing to ensure reliable performance under harsh environments;

Featuring 4pcs×10W CREE LEDs for excellent color mixing;

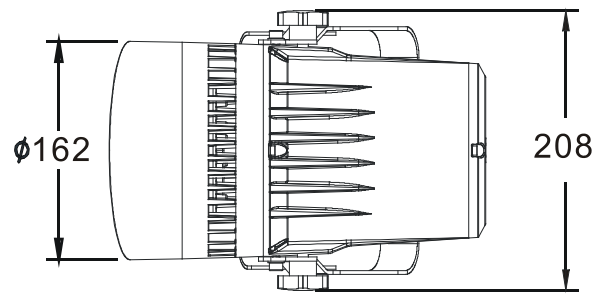
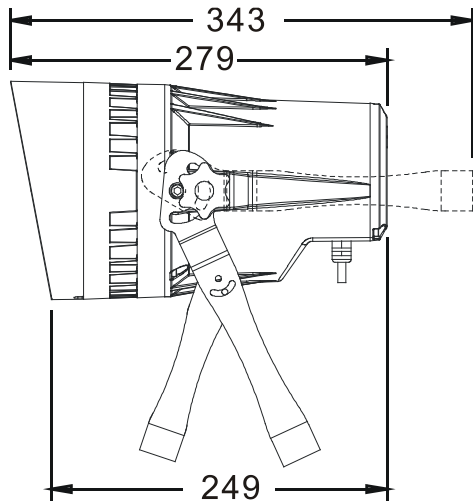
With Photocell (light sensor) feature, units can light up automatically when the environment is getting dark;

A nice design to put diffusion filter for changing beam angles;

LED touch-panel display for easy set-up navigation; It also comes with great built-in shows (fade) without DMX control;

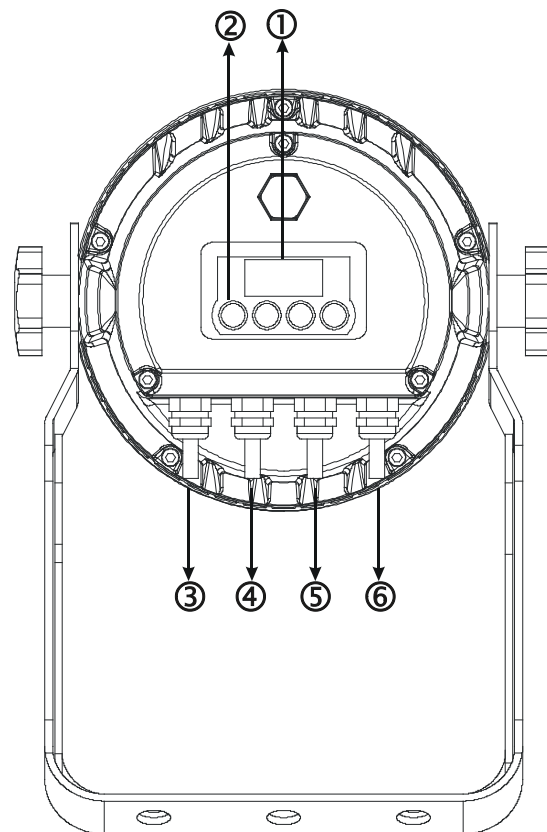
Perfect for illumination of building façade, hotels, landscapes, theme park and more.

- **Input Voltage:** AC 100~240V, 50/60Hz
- **Power Consumption:** 43W
- **LED:** 4 X 10W CREE LEDs
- **Beam Angle:** 10°, 20°, 30°
- **Dimension:** 343X208 X162mm
- **Weight:** 3.8Kgs



### 3. How To Set The Fixture

#### 3.1 Control Panel



#### 1. Function Display:

Used To show the various menus and the selected functions

#### 2. Button:

<b>MENU</b>	To select the programming functions
<b>▲ DOWN</b>	To go backward in the selected functions
<b>▼ UP</b>	To go forward in the selected functions
<b>ENTER</b>	To confirm the selected functions

### 3. DMX IN:

Water proof 3-pin XLR connectors for DMX 512 operation

### 4. POWER IN:

Water proof connectors for power input

### 5. POWER OUT:

Water proof connectors for power output

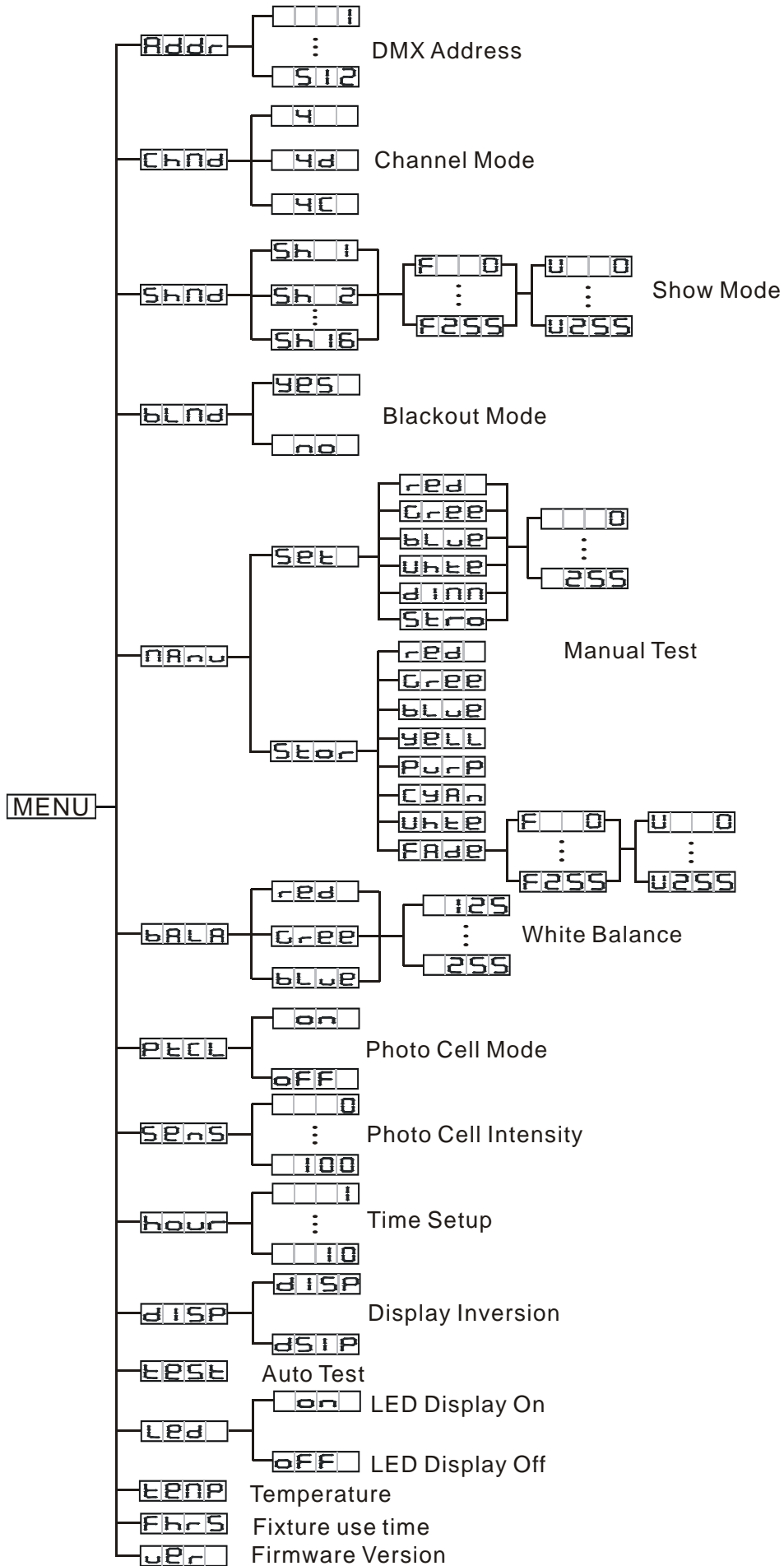
### 6. DMX OUT:

Water proof connectors for DMX 512 operation with 3-pin XLR plug

## 3.2 Main Functions

To select any functions, press the **MENU** button until the required one is shown on the display. Select the function by the **ENTER** button and the display will blink. Use the **DOWN** and **UP** button to change the mode. Once the required mode has been selected, press the **ENTER** button to setup or it will automatically return to the main functions without any change after idling one minute. Back to the functions without any change press the **MENU** button.

The main functions are shown below:



## **Addr** DMX 512 Address

Select the **Addr**, press the **ENTER** button and the display will blink. Use the **DOWN** and **UP** button to change the DMX 512 address between 1 and 512. Once the address has been selected, press the **ENTER** button to save or automatically exit menu mode without any change after one minute. Back to the previous functions without any change press the **MENU** button.

## **Chnd** Channel Mode

Select the **Chnd**, press the **ENTER** button and the display will blink. Use the **DOWN** and **UP** button to select the **4** (4 Channels: Red, Green, Blue, White), **4d** (5 Channels: Red, Green, Blue, White, Dimmer) or **4C** (7 Channels: Red, Green, Blue, White, Color, Dimmer, Strobe) Mode. Once select the required mode, press the **ENTER** button to save or automatically exit menu mode without any change after one minute. To go back to the functions without any change press the **MENU** button.

## **Shnd** Show mode

Select the **Shnd**, press the **ENTER** button and the display will blink. Use the **DOWN** and **UP** button to select the **Sh 1** (show 1)... **Sh 16** (show 16). Once select, press the **ENTER** button to setup. press the **ENTER** button, **F** will blinking on the display, use **DOWN** and **UP** button adjust the fade time (0~255), press the **ENTER** button to store and **W** will blinking on the display, use the **DOWN** and **UP** button adjust the white time (0~255), press the **ENTER** button to store or automatically return to the main functions without any change after one minute. To go back to the previous functions without any change press the **MENU** button.

## **blnd** Blackout Mode

Select the **blnd**, press the **ENTER** button and the display will blink. Use the **DOWN** and **UP** button to select the **YES** (blackout) or **no** (normal). Once selected, press the **ENTER** button to setup or automatically exit menu mode without any change after one minute.



To go back to the functions without any change press the **MENU** button.

### **M A N U** Manual Mode

Press the **MENU** button up to when the **M A N U** is shown on the display. Press the **ENTER** button and the display will blink. Use the **DOWN** and **UP** button to select the **S E T** (set the color) or **S T O R** (store the color).

Once selected **S E T**, press the **ENTER** button to setup, then use the **DOWN** and **UP** button to select the **d i m m** (dimmer), **S T R O** (strobe), **r e d** (red), **G r e e** (green), **b l u e** (blue) or **W h i t e** (white). Once selected, press the **ENTER** button to setup, then use the **DOWN** and **UP** button to adjust the value (0~255) or automatically exit menu mode without any change after one minute. To go back to the functions without any change press the **MENU** button.

Once selected **S T O R**, press the **ENTER** button to setup, then use the **DOWN** and **UP** button to select the **r e d** (red), **G r e e** (green), **b l u e** (blue), **Y E L L** (yellow), **P u r p** (purple), **C Y A N** (Cyan), **W h i t e** (white) or **F A D E** (fade). Once select **F A D E**, press the **ENTER** button to setup. press the **ENTER** button, **F** will blinking on the display, use **DOWN** and **UP** button adjust the fade time (0~255), press the **ENTER** button to store and **U** will blinking on the display, use the **DOWN** and **UP** button adjust the white time (0~255), press the **ENTER** button to store or automatically return to the main functions without any change after one minute. To go back to the previous functions without any change press the **MENU** button.

### **b A L A** White Balance

Press the **MENU** button up to when the **b A L A** is showing on the display. Pressing the **ENTER** button and the display will blink. Use the **DOWN** and **UP** button to select the **r e d** (red), **G r e e** (green), **b l u e** (blue) mode. Once selected, press the **ENTER** button to setup, then use the **DOWN** and **UP** button to adjust the value (125~255) or automatically exit menu mode without any change after one minute. To go back to the functions without any change press the **MENU** button.

## **PtCL** Photo Cell Mode

Select the **PtCL**, press the **ENTER** button and the display will blink. Use the **DOWN** and **UP** button to select the **ON** (Be controlled by sunlight) or **OFF** (Not be controlled by sunlight), Once select, press the **ENTER** button to setup or automatically return to the main functions without any change after one minute. Back to the previous functions press the **MENU** button.

## **SENS** Photo Cell Intensity

Select the **SENS**, press the **ENTER** button and the display will blink. Use the **DOWN** and **UP** button to adjust the intensity value between **0000** and **1000**. Once selected, press the **ENTER** button to setup or automatically return to the main functions without any change after one minute. Back to the previous functions press the **MENU** button.

## **hour** Time Setup

Press the **MENU** button to show **hour** on the display. Press the **ENTER** button and the display will blink. Use the **DOWN** and **UP** button to select the **0001** (1 hour) ... **0010** (10 hours) mode. Once select, press the **ENTER** button to setup or automatically return to the main functions without any change after one minute. Back to the previous functions press the **MENU** button.

## **DISP** Display Inversion

Select the **DISP**, press the **ENTER** button and the display will blink. Use the **DOWN** and **UP** button to select the **DISP** (normal) or **DISP** (inverse), Once the mode has been selected, press the **ENTER** button to setup or automatically return to the main functions without any change after one minute. To go back to the previous functions without any change press the **MENU** button.

## **TEST** Auto Test

Select the **TEST**, press the **ENTER** button and the unit will run the built-in program for

self-test. To go back to the functions press the **MENU** button again.

### **LED** LED Display

Select the **LED**, press the **ENTER** button and the display will blink. Use the **DOWN** and **UP** button to select **on** (LED display on) or **OFF** (LED display off 20 seconds after exit menu). Once select, press **ENTER** button to setup or exit menu mode without any change after one minute. Back to the functions without any change press **MENU** button again.

### **TEMP** Temperature

Select the **TEMP**, press the **ENTER** button and the display will show the current running temperature of the fixture. To go back to the functions press the **MENU** button again.

### **Fhrs** Fixture Hours

Select the **Fhrs**, press the **ENTER** button and the display will show the running time of the fixture. To go back to the functions press the **MENU** button.

### **Ver** Firmware version

Select the **Ver**, press the **ENTER** button and the display will show the version of software of the fixture. To go back to the functions press the **MENU** button again.

## **4. How To Control The Unit**

You can operate the unit by DMX controller:

No need to turn the unit off when you change the DMX address, as new DMX address setting will be affected at once. Every time you turn the unit on, it will show **8P40** on the display. After that the unit will be ready to receive DMX signal or run the built in programs.

## 4.1 DMX Controller

Use universal DMX controller to control the units, you have to set DMX address from 1 to 512 channel so that the units can receive DMX signal.

Press the **MENU** button up to when the **Addr** is showing on the display.

Pressing **ENTER** button and the display will blink. Use **DOWN** and **UP** button to change the DMX512 address. Once the address has been selected, press and keep **ENTER** button pressed up to when the display stops blinking or storing automatically 8 seconds later. To go back to the functions without any change press the **MENU** button again.

Please refer to the following diagram to address your DMX512 channel for the first 4 units:

4 channels mode:	<input type="text" value="1"/>	<input type="text" value="5"/>	<input type="text" value="9"/>	<input type="text" value="13"/>
5 channels mode:	<input type="text" value="1"/>	<input type="text" value="6"/>	<input type="text" value="11"/>	<input type="text" value="16"/>
7 channels mode:	<input type="text" value="1"/>	<input type="text" value="8"/>	<input type="text" value="15"/>	<input type="text" value="22"/>

## 4.2 DMX 512 Configuration

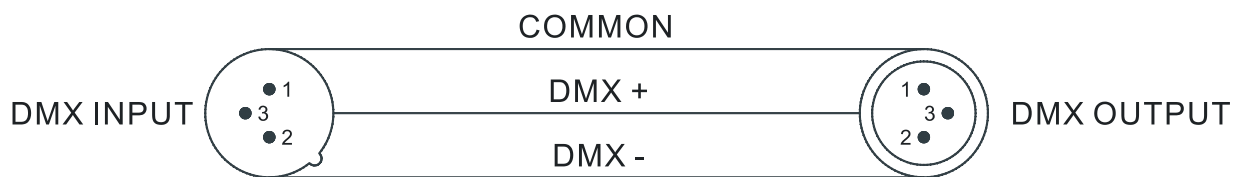
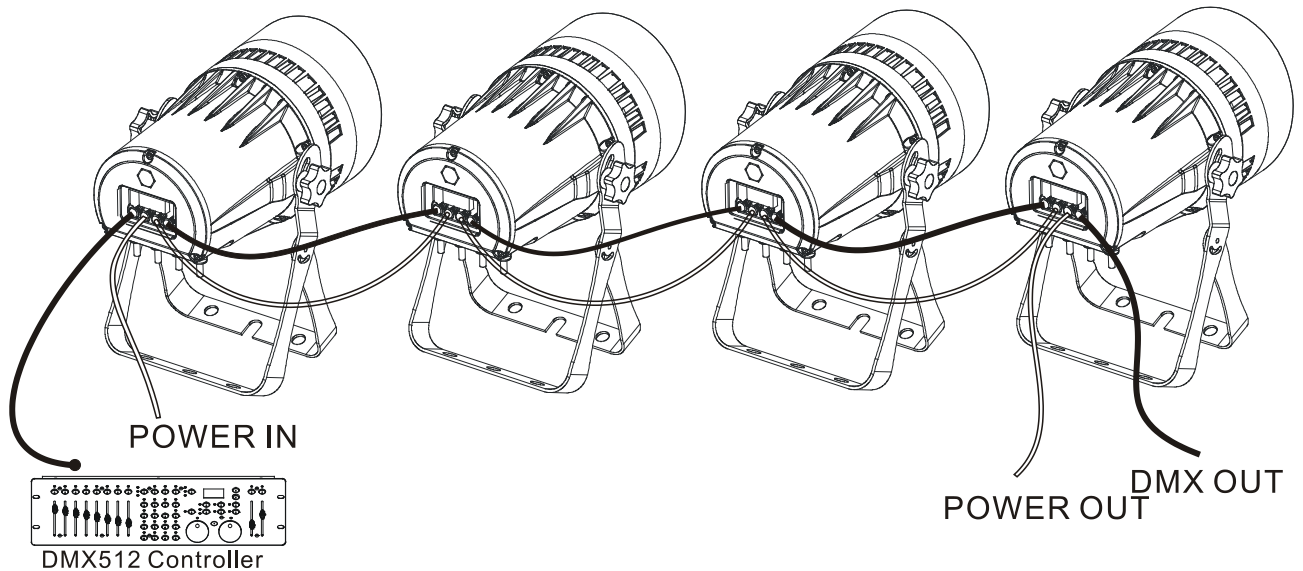
4/5/7 Channels Mode:

## DMX512 Configurations

4 Channels Mode				5 Channels Mode				
Ch1	Ch2	Ch3	Ch4	Ch1	Ch2	Ch3	Ch4	Ch5
Red	Green	Blue	White	Red	Green	Blue	White	Dimmer

7 Channels Mode						
Ch1	Ch2	Ch3	Ch4	Ch5	Ch6	Ch7
Red	Green	Blue	White	Color	Dimmer	Strobe
				248-255 Preset color32 240-247 Preset color31 232-239 Preset color30 224-231 Preset color29 217-223 Preset color28 209-216 Preset color27 201-208 Preset color26 194-200 Preset color25 186-193 Preset color24 178-185 Preset color23 170-177 Preset color22 163-169 Preset color21 155-162 Preset color20 147-154 Preset color19 140-146 Preset color18 132-139 Preset color17 124-131 Preset color16 116-123 Preset color15 109-115 Preset color14 101-108 Preset color13 093-100 Preset color12 085-092 Preset color11 078-084 Preset color10 070-077 Preset color9 062-069 Preset color8 055-061 Preset color7 047-054 Preset color6 039-046 Preset color5 031-038 Preset color4 024-030 Preset color3 016-023 Preset color2 008-015 Preset color1 001-007 OFF		248-255 OPEN 240-247 RANDOM STROBE 232-239 OPEN 190-231 SLOW CLOSE FAST OPEN 182-189 OPEN 140-181 SLOW OPEN FAST CLOSE 132-139 OPEN 16-131 ⚡ ⚡ ⚡ 8-15 OPEN 0-7 OFF

## 5. DMX512 Connections



Termination reduces signal errors and to avoid signal transmission problems and interference. It is always advisable to connect a DMX terminal. (Resistance 120 ohm 1/4W) between pin2(DMX-) and pin3(DMX+) of the last fixture.



1. If you using a controller with 5 pins DMX output, you need to use a 5 to 3 pin adapter-cable.
2. Connect the unit together in a `daisy chain` by XLR plug from the output of the unit to the input of the next unit. The cable can not branched or split to a `Y` cable. DMX 512 is a very high-speed signal. Inadequate or damaged cables, soldered joints or corroded connectors can easily distort the signal and shut down the system.
3. The DMX output and input connectors are pass-through to maintain the DMX circuit, when one of the units' power is disconnected.
4. Each lighting unit needs to have an address set to receive the data sent by the controller. The address number is between 0-511 (usually 0 & 1 are equal to 1).

5. The end of the DMX 512 system should be terminated to reduce signal errors.
6. 3 pin XLR connectors are more popular than 5 pin XLR.
  - 3 pin XLR: Pin 1: GND, Pin 2: Negative signal (-), Pin 3: Positive signal (+)
  - 5 pin XLR: Pin 1: GND, Pin 2: Negative signal (-), Pin 3: Positive signal (+), Pin 4/Pin 5: Not used.

## 6. Troubleshooting

If the fixture does not work, no light, please check the connection of power cable and signal line, also measure the mains voltage on the main connector.

Problem	Possible Cause	Action
The unit does not work, no light.	Incorrect power cable connection.	Check the connection of power.
	Incorrect mains voltage.	Measure the mains voltage on the main connector.
The unit does not respond properly to the DMX control.	Incorrect DMX cable connection.	Check DMX connectors and cables to see if link properly. Repair or replace damaged wires.
	Incorrect address assignment to the units.	Check the addresses of the units and the protocol settings.
	Unfinished data connection.	Insert a terminal plug in the output jack of the last unit of the connection.
	It has been set up an operating mode different from the DMX mode used.	Check the operating mode set up.
		Try to use another DMX controller.

## **7. Cleaning And Maintenance**

The cleaning must be carried out periodically to optimize light output. Cleaning frequency depends on the environment in which the fixture operates: moist, smoky or particularly dirty surrounding can cause greater accumulation of dirt on the fixture.

- Clean with lint-free cloth using normal glass cleaning liquid.
- Always dry the parts carefully.
- Clean the surface at least every 30 days.







## **Declaration of Conformity**

We declare that our products (lighting equipments) comply with the following specification and bears CE mark in accordance with the provision of the Electromagnetic Compatibility (EMC) Directive 2004/108/EC.

EN55103-1: 2009 ; EN55103-2: 2009;  
EN61000-3-2: 2006 + A1:2009 + A2:2009; EN61000-3-3: 2008.

**&**

## **Harmonized Standard**

EN 60598-1:2008 + All:2009; EN 60598-2-17:1989 + A2:1991;  
EN 62471:2008; EN 62493: 2010  
Safety of household and similar electrical appliances  
Part 1: General requirements

**Innovation, Quality, Performance**