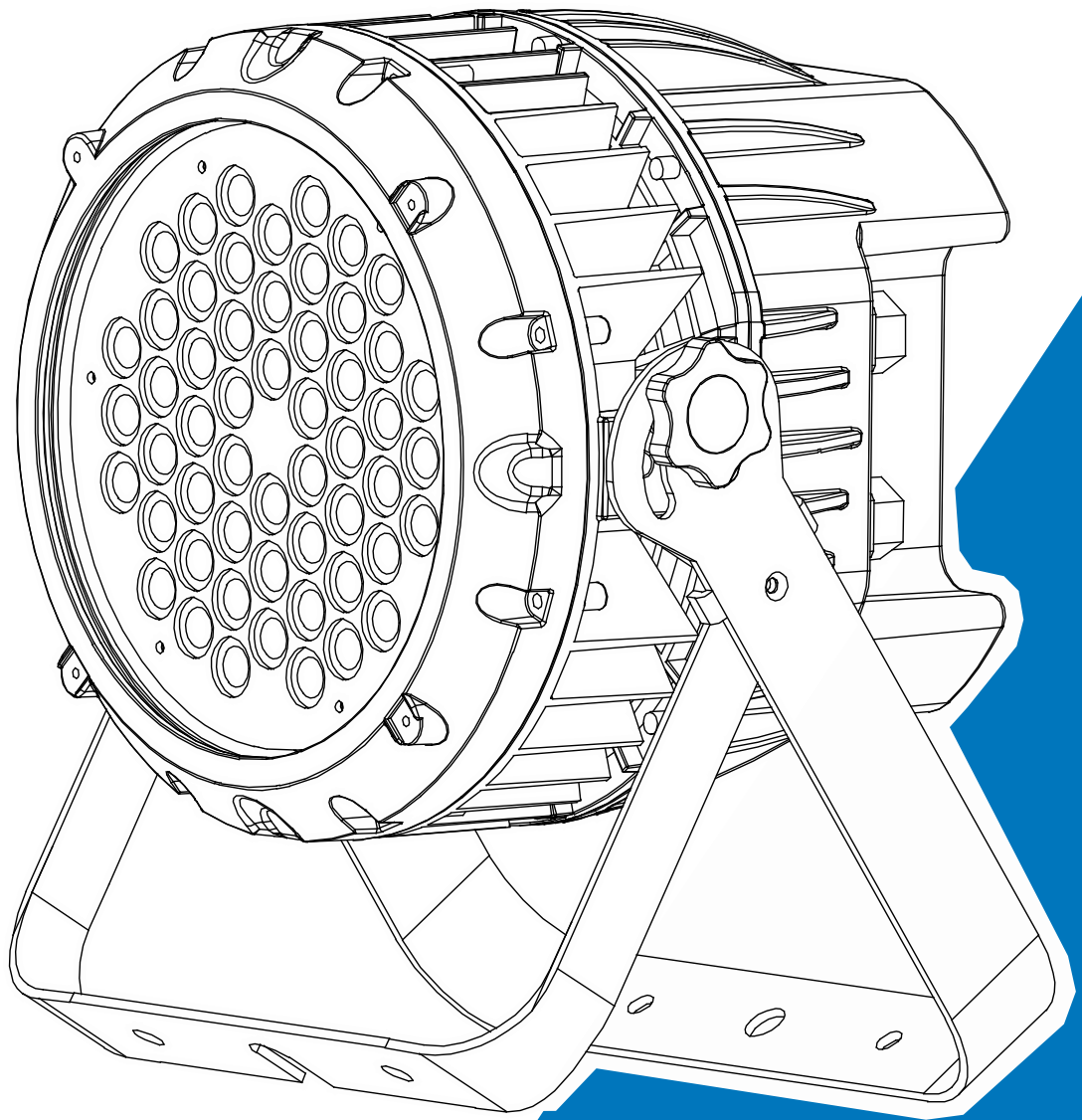




COOLIE 545



User Manual

Please read the instruction carefully before use

CONTENTS

1. Safety Instructions.....	2
2. Technical Specifications	4
3. How To Set The Unit	5
3.1 Control Panel.....	5
3.2 Main Function	6
4. Control By Universal DMX Controller.....	12
4.1 DMX512 Connection	12
4.2 Address Setting.....	13
4.3 DMX512 Configuration	13
5. Troubleshooting	16
6. Fixture Cleaning	16

1. Safety Instructions



Please read the instruction carefully which includes important information about the installation, usage and maintenance.

WARNING

Please keep this User Guide for future consultation. If you sell the unit to another user, be sure that they also receive this instruction manual.

Important:

Damages caused by the disregard of this user manual are not subject to warranty. The dealer will not accept liability for any resulting defects or problems.

- Unpack and check carefully that there is no transportation damage before using the unit.
- This product is suitable for wet locations. Do not immerse in water.
- DO install and operate by qualified operator.
- DO NOT allow children to operate the fixture.
- Use safety chain when fixing the unit. Handle the unit by carrying its base instead of head only.
- The unit must be installed in a location with adequate ventilation, at least 50cm from adjacent surfaces.
- Be sure that no ventilation slots are blocked, otherwise the unit will be overheated.
- Before operating, ensure that the voltage and frequency of power supply match the power requirements of the unit.
- It's important to ground the yellow/green conductor to earth in order to avoid electric shock.
- Minimum ambient temperature TA: 0°C. Maximum ambient temperature TA: 40°C.
- DO NOT connect the device to any dimmer pack.
- Make sure there are no flammable materials close to the unit while operating to avoid fire hazard.
- Examine the power wires carefully; replace them immediately if there is any damage.
- Avoid any inflammable liquids, water or metal objects entering the unit. Once it happens, cut off the mains power immediately.
- DO NOT operate in dirty or dusty environment, do clean fixtures regularly.

- DO NOT touch any wire during operation as there might be a hazard of electric shock.
- Avoid power wires together twist other cables.
- In the event of serious operating problem, stop using the unit immediately.
- Never turn on and off the unit time after time.
- The housing, the lenses, or the ultraviolet filter must be replaced if they are visibly damaged.
- DO NOT open the unit as there are no user serviceable parts inside.
- Never try to repair the unit by yourself. Repairs carried out by unskilled people can lead to damage or malfunction. Please contact the nearest authorized technical assistance center if needed.
- Disconnect the mains power if the fixture is has not been used for a long time.
- DO use the original packing materials before transporting it again.
- DO NOT look directly at the light while the LED is on.
- DO NOT start on the unit without LED enclosure or when housing is damaged.

Installation:

The fixture should be mounted via its Omega Quick Release Clamp bracket. Always ensure that the unit is firmly fixed to avoid vibration and slipping while operating and make sure that the structure to which you are attaching the unit is secure and is able to support a weight of 10 times of the fixtures weight. Always use a safety cable that can hold 12 times of the weight of the fixture when installing.

The equipment must be installed by professionals. It must be installed in a place where is out of the reach of people and no one can pass by or under it.

2. Technical Specifications

Power Voltage:

AC 100~240V, 50/60Hz

Power Consumption:

170W

Light Source:

54x3W RGBW LED

Beam Angles:

19°

Control:

DMX Channel: 4/5/7 channel

Control Mode: DMX, Primary/Secondary

Firmware Upgrade: Update via DMX link

Construction:

Display: LED display

Data In/Out Socket: 3-pin XLR socket

Protection Rating: IP66

Features:

Outstanding color mixing effect

Preset program in stand-alone mode

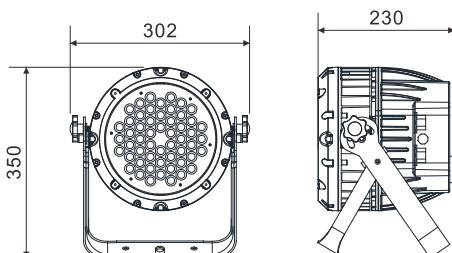
4 dimming curves, 0~100% smooth dimming

Various strobe speeds

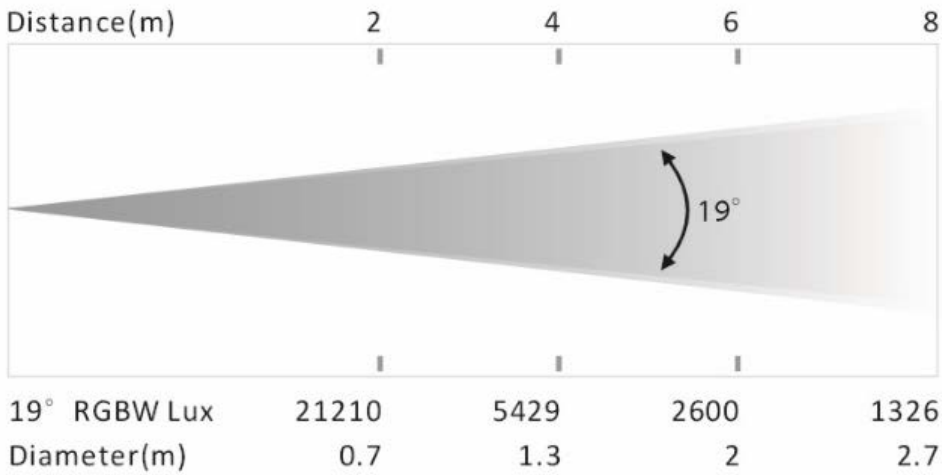
Dimension/Weight:

302x230x350mm, 9.1kgs

11.9"x9.1"x13.8" in, 20.1lbs

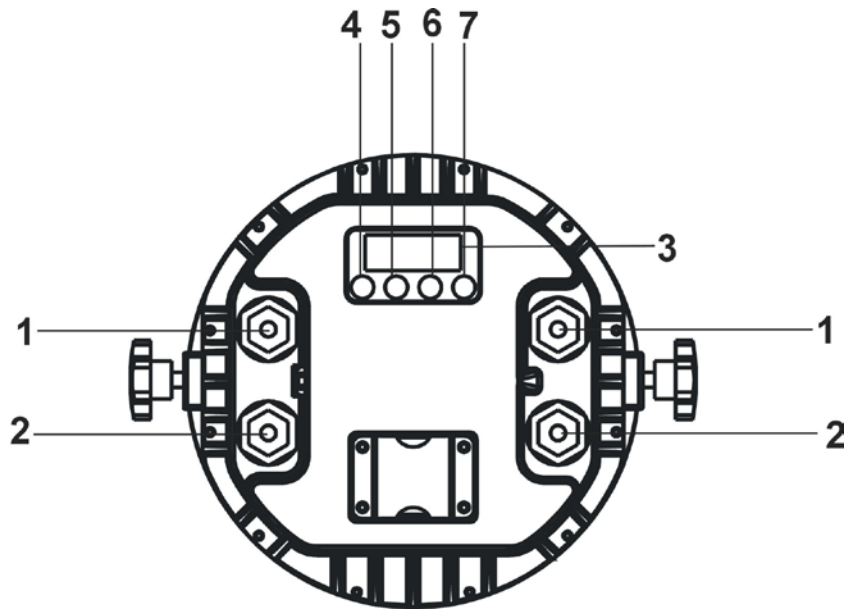


Photometrics Diagram:



3. How To Set The Unit

3.1 Control Panel



1. POWER IN/OUT:

Water proof connectors for power input/output

2. DMX IN/OUT:

Water proof connectors for DMX 512 operation, use 3-pin XLR cable to link the units together

3. Display:

To show the menu and the selected functions

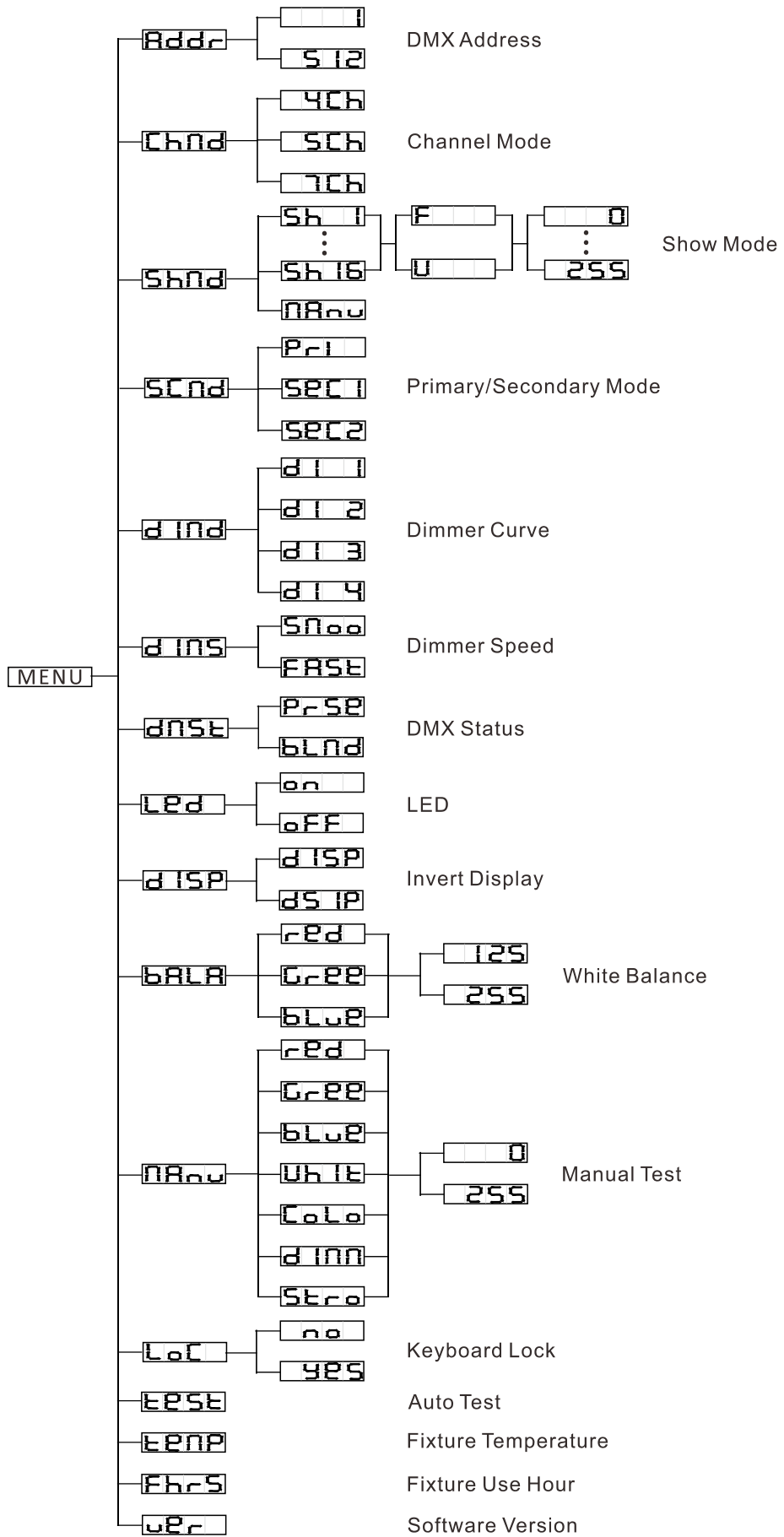
Button:

4. MENU	To select the programming functions
5. DOWN	To go forward in the selected functions
6. UP	To go backward in the selected functions
7. ENTER	To confirm the selected functions

3.2 Main Function

Turn on the unit, press the MENU button into menu mode, and press the UP/DOWN button until the required function is shown on the monitor. Select the function by the ENTER button. Use the UP/DOWN button to choose the submenu, press the ENTER button to store and automatically return to the last menu. Press the MENU button or let the unit idle 30 seconds to exit menu mode. The main functions are shown below:

Once you set **Loc** to **YES**, after running in show mode for 5 minutes without any change or restarting the unit, the key board become locked. Press ENTER button to enable the menu, the display will show **---**, press UP and DOWN button until it shows **123** , then press ENTER to unlock.



Addr DMX Address

Press the **MENU** button up to when the **Addr** is shown on the display. Press **ENTER** button and the display will blink. Use **DOWN** and **UP** button to change the DMX 512 address. Once the address has been selected, press **ENTER** button to setup or automatically exit menu mode without any change after 30 seconds. Back to the previous functions without any change press **MENU** button.

ChNd Channel Mode

Press the **MENU** button up to when the **ChNd** is shown on the display. Press **ENTER** button and the display will blink. Use **DOWN** and **UP** button to select the **4Ch** (4 channels), **5Ch** (5 channels) or **7Ch** (7 channels). Once select, press **ENTER** button to setup or automatically exit menu mode without any change after 30 seconds. To go back to the functions without any change press the **MENU** button.

ShNd Show Mode

Press the **MENU** button up to when the **ShNd** is shown on the display. Press **ENTER** button and the display will blink. Use **DOWN** and **UP** button to select the **Sh 1** (show 1) ... **Sh 16** (show 16) or **MANU** (Manual). After select the show mode, use **DOWN** and **UP** button to adjust the value for fade mode and speed mode. Once select, press **ENTER** button to store or automatically return to the main functions without any change after 30 seconds. To go back to the previous functions without any change press the **MENU** button.

SCNd Primary/Secondary Mode

Press the **MENU** button up to when the **SCNd** is shown on the display. Press **ENTER** button and the display will blink. Use **DOWN** and **UP** button to select the **Pr1** (Primary), **SEC1** (Secondary 1) or **SEC2** (Secondary 2). Once select, press **ENTER** button to store or automatically return to the main functions without any change after 30 seconds. To go back to the previous functions without any change press the **MENU** button.

d INd Dimmer Curve

Press the **MENU** button up to when the **d INd** is shown on the display. Press **ENTER** button and the display will blink. Use **DOWN** and **UP** button to select the **d111** (Dimmer Curve 1) ...**d14** (Dimmer Curve 4). Once select, press **ENTER** button to store or automatically return to the main functions without any change after 30 seconds. To go back to the previous functions without any change press the **MENU** button.

d INS Dimmer Speed

Press the **MENU** button up to when the **d INS** is shown on the display. Press **ENTER** button and the display will blink. Use **DOWN** and **UP** button to select the **Smooth** (Smooth) or **FRSE** (Fast). Once select, press **ENTER** button to store or automatically return to the main functions without any change after 30 seconds. To go back to the previous functions without any change press the **MENU** button.

dnSE DMX Status

Press the **MENU** button up to when the **dnSE** is shown on the display. Press **ENTER** button and the display will blink. Use **DOWN** and **UP** button to select the **PrSE** (Primary/Secondary Mode) or **BLNd** (Blackout Mode). Once select, press **ENTER** button to store or automatically return to the main functions without any change after 30 seconds. To go back to the previous functions without any change press the **MENU** button.

LEd LED

Press the **MENU** button up to when the **LEd** is shown on the display. Press **ENTER** button and the display will blink. Use **DOWN** and **UP** button to select the **on** (On) or **oFF** (Off). Once select, press **ENTER** button to store or automatically return to the main functions without any change after 30 seconds. To go back to the previous functions without any change press the **MENU** button.

DISP Invert Display

Press the **MENU** button up to when the **DISP** is shown on the display. Press **ENTER** button and the display will blink. Use **DOWN** and **UP** button to select the **DISP** (Normal) or **DISP** (Invert Display). Once select, press **ENTER** button to store or automatically return to the main functions without any change after 30 seconds. To go back to the previous functions without any change press the **MENU** button.

BARA White Balance

Press the **MENU** button up to when the **BARA** is showing on the display. Press **ENTER** button and the display will blink. Use **DOWN** and **UP** button to select the **RED** (Red), **GREEN** (Green) or **BLUE** (Blue). Once the mode has been selected, press the **DOWN** and **Up** button to select the value from 125 to 255, press the **ENTER** button to setup or automatically return to the main functions without any change after 30 seconds. To go back to the previous functions without any change press the **MENU** button.

MANU Manual Test

Press the **MENU** button up to when the **MANU** is showing on the display. Press **ENTER** button and the display will blink. Use **DOWN** and **UP** button to select the **RED** (Red), **GREEN** (Green), **BLUE** (Blue), **WHITE** (White), **COLOR**(Color), **DIMM** (Dimmer) or **STRO** (Strobe). Once the mode has been selected, press the **DOWN** and **Up** button to select the value from 0 to 255, press the **ENTER** button to setup or automatically return to the main functions without any change after 30 seconds. To go back to the previous functions without any change press the **MENU** button.

LOC Keyboard Lock

Press the **MENU** button up to when the **LOC** is showing on the display. Press **ENTER** button and the display will blink. Use **DOWN** and **UP** button to select the **no** (Keyboard lock On) or **YES** (Keyboard lock Off). Once select, press the **ENTER** button to setup or automatically return to the main functions without any change after 30 seconds. Back to the previous functions press **MENU** button.

EPSE Auto Test

Press the **MENU** button up to when the **EPSE** is blinking on the display. Press **ENTER** button and the unit will run self-test by built-in program. To go back to the functions press the **MENU** button again.

EPNP Fixture Temperature

Press the **MENU** button up to when the **EPNP** is blinking on the display. Press **ENTER** button and the display will show the temperature of the unit. To go back to the functions press the **MENU** button again.

Fhrs Fixture Use Hour

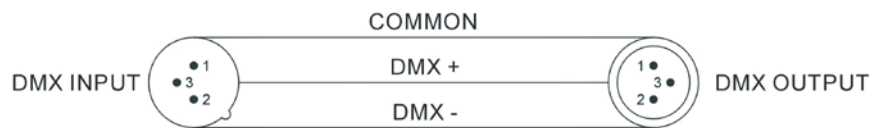
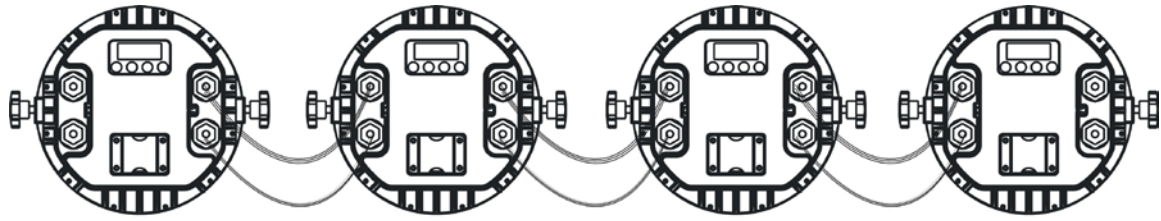
Press the **MENU** button up to when the **Fhrs** is blinking on the display. Press **ENTER** button and the display will show the working hours of the unit. To go back to the functions press the **MENU** button.

VER Software Version

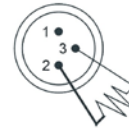
Press the **MENU** button up to when the **VER** is blinking on the display. Press **ENTER** button and the display will show the version of software of the unit. To go back to the functions press the **MENU** button again.

4. Control By Universal DMX Controller

4.1 DMX512 Connection



Termination reduces signal errors and voids signal transmission problems and interference. It is always advisable to connect a DMX terminal. (Resistance 120 ohm 1/4W) between pin2(DMX-) and pin3(DMX+) of the last fixture.



1. At last unit, the DMX cable has to be terminated with a terminator. Solder a 120-ohm 1/4W resistor between pin 2(DMX-) and pin 3(DMX+) into a 3-pin XLR-plug and plug it in the DMX-output of the last unit.
2. Connect the unit together in a “daisy chain” by XLR plug cable from the output of the unit to the input of the next unit. The cable cannot be branched or split to a “Y” cable. DMX 512 is a very high-speed signal. Inadequate or damaged cables, soldered joints or corroded connectors can easily distort the signal and shut down the system.
3. The DMX output and input connectors are pass-through to maintain the DMX circuit, when one of the units’ power is disconnected.
4. Each lighting unit needs to have a DMX address to receive the data by the controller. The address number is between 1-512.
5. The end of the DMX 512 system should be terminated to reduce signal errors.
6. 3 pin XLR connectors are more popular than 5 pins XLR.
 - 3 pin XLR: Pin 1: GND, Pin 2: Negative signal (-), Pin 3: Positive signal (+)
 - 5 pin XLR: Pin 1: GND, Pin 2: Negative signal (-), Pin 3: Positive signal (+), Pin4, Pin5 not used.

4.2 Address Setting

Use universal DMX controller to control the units, you have to set DMX address from 1 to 512 channel so that the units can receive DMX signal.

Press the MENU button up to when the **Addr** is showing on the display. Press the ENTER button and the display will blink. Use the UP/DOWN button to change the DMX512 address. Once the address has been selected, press and keep the ENTER button pressed up to when the display stops blinking or storing automatically 30 seconds later. To go back to the functions without any change press the MENU button again.

Please refer to the following diagram to address your DMX512 channel for the first 4 units:

Channel mode	Unit 1 Address	Unit 2 Address	Unit 3 Address	Unit 4 Address
4 Channels	1	5	9	13
5 Channels	1	6	11	16
7 channels	1	8	15	22

4.3 DMX512 Configuration

Please refer to below configurations to control the fixtures

Attentions:

1. The unit will maintain the last condition until reset if you cut-off the DMX signal.
2. For the channel Function, keep the value for about 3 seconds, then the corresponding function will take into effect.

4 Channels Mode (Mode 1):

Channel	Value	Function
1	0-255	RED 0%→100%
2	0-255	GREEN 0%→100%
3	0-255	BLUE 0%→100%
4	0-255	WHITE 0%→100%

5 Channels Mode (Mode 2):

Channel	Value	Function
1	0-255	RED 0%→100%
2	0-255	GREEN 0%→100%
3	0-255	BLUE 0%→100%
4	0-255	WHITE 0%→100%
5	0-255	DIMMER 0%→100%

7 Channels Mode (Mode 3):

Channel	Value	Function
1	0-255	RED 0%→100%
2	0-255	GREEN 0%→100%
3	0-255	BLUE 0%→100%
4	0-255	WHITE 0%→100%
5	0-7 8-15 16-23 24-31 32-39 40-47 48-55 56-63 64-71 72-79 80-87 88-95 96-103 104-111 112-119 120-127	COLOR WHEEL OFF PRESET COLOR 1 PRESET COLOR 2 PRESET COLOR 3 PRESET COLOR 4 PRESET COLOR 5 PRESET COLOR 6 PRESET COLOR 7 PRESET COLOR 8 PRESET COLOR 9 PRESET COLOR 10 PRESET COLOR 11 PRESET COLOR 12 PRESET COLOR 13 PRESET COLOR 14 PRESET COLOR 15

	128-135 136-143 144-151 152-159 160-167 168-175 176-183 184-191 192-199 200-207 208-215 216-223 224-231 232-239 240-247 248-254 255	PRESET COLOR 16 PRESET COLOR 17 PRESET COLOR 18 PRESET COLOR 19 PRESET COLOR 20 PRESET COLOR 21 PRESET COLOR 22 PRESET COLOR 23 PRESET COLOR 24 PRESET COLOR 25 PRESET COLOR 26 PRESET COLOR 27 PRESET COLOR 28 PRESET COLOR 29 PRESET COLOR 30 PRESET COLOR 31 Off
6	0-7 8-15 16-131 132-139 140-181 182-189 190-231 232-239 240-247 248-255	STROBE OFF OPEN STROBE FROM SLOW TO FAST OPEN FAST CLOSE SLOW OPEN OPEN FAST OPEN SLOW CLOSE OPEN RANDOM STROBE OPEN
7	0-255	DIMMER 0%→100%

5. Troubleshooting

Following are a few common problems that may occur during operation. Here are some suggestions for easy troubleshooting:

A. The unit does not work, no light and the fan does not work

1. Check the connect power.
2. Measure the mains voltage on the main connector.
3. Check the power on LED to see if it can be light up or not.

B. Not responding to DMX controller

1. Check DMX connectors, cables to see if they are linked properly.
2. Check the address settings and DMX polarity.
3. If you have intermittent DMX signal problems, check the pins on connectors or on PCB of the unit or the previous one.
4. Try to use another DMX controller.
5. Check to see if the DMX cables run near or run alongside to high voltage cables that may cause damage or interference to DMX interface circuit.

C. One of the channels is not working well

1. The stepper motor might be damaged or the cable connected to the PCB is broken.
2. The motor's drive IC on the PCB might be out of condition.

6. Fixture Cleaning

The cleaning of internal and external optical lenses and/or mirrors must be carried out periodically to optimize light output. Cleaning frequency depends on the environment in which the fixture operates: damp, smoky or particularly dirty surrounding can cause greater accumulation of dirt on the unit's optics.

- Clean with soft cloth using normal glass cleaning fluid.
- Always dry the parts carefully.
- Clean the external optics at least every 20 days.

Innovation, Quality, Performance